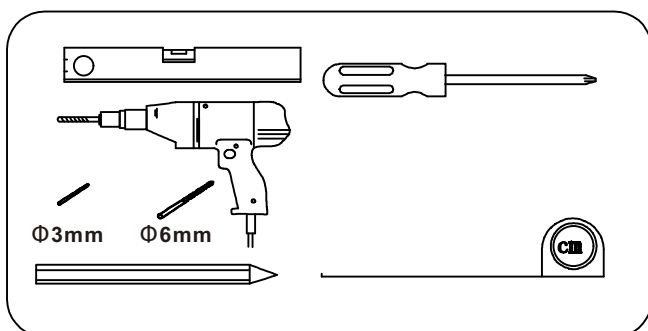
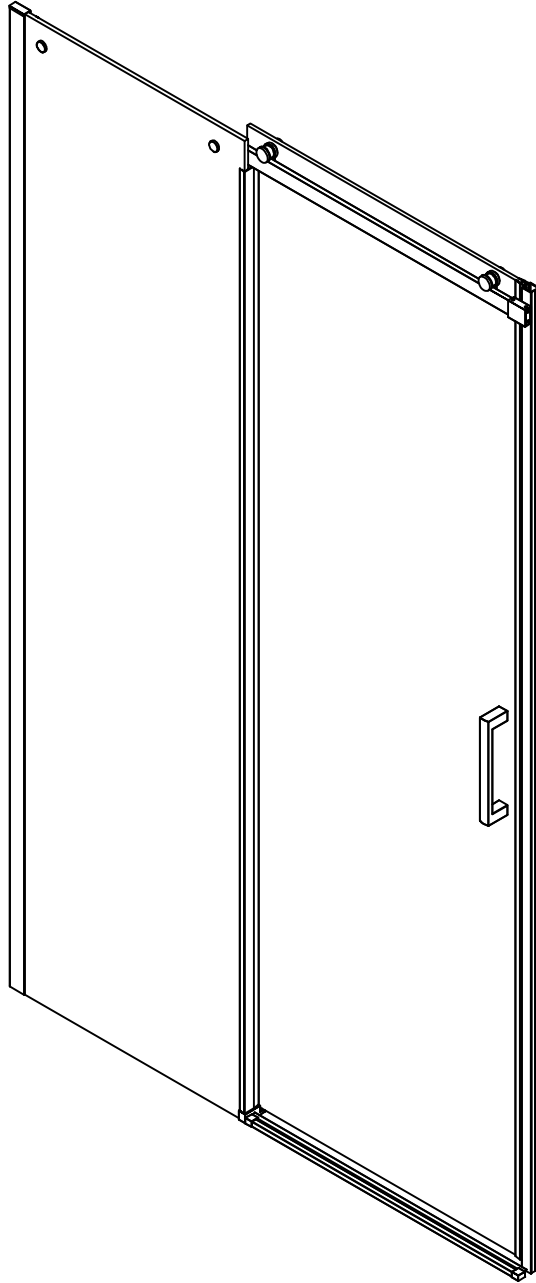


THRON

TL5010/TL5011/TL5012

TL5013/TL5014/TL5015/TL5016



polysan 

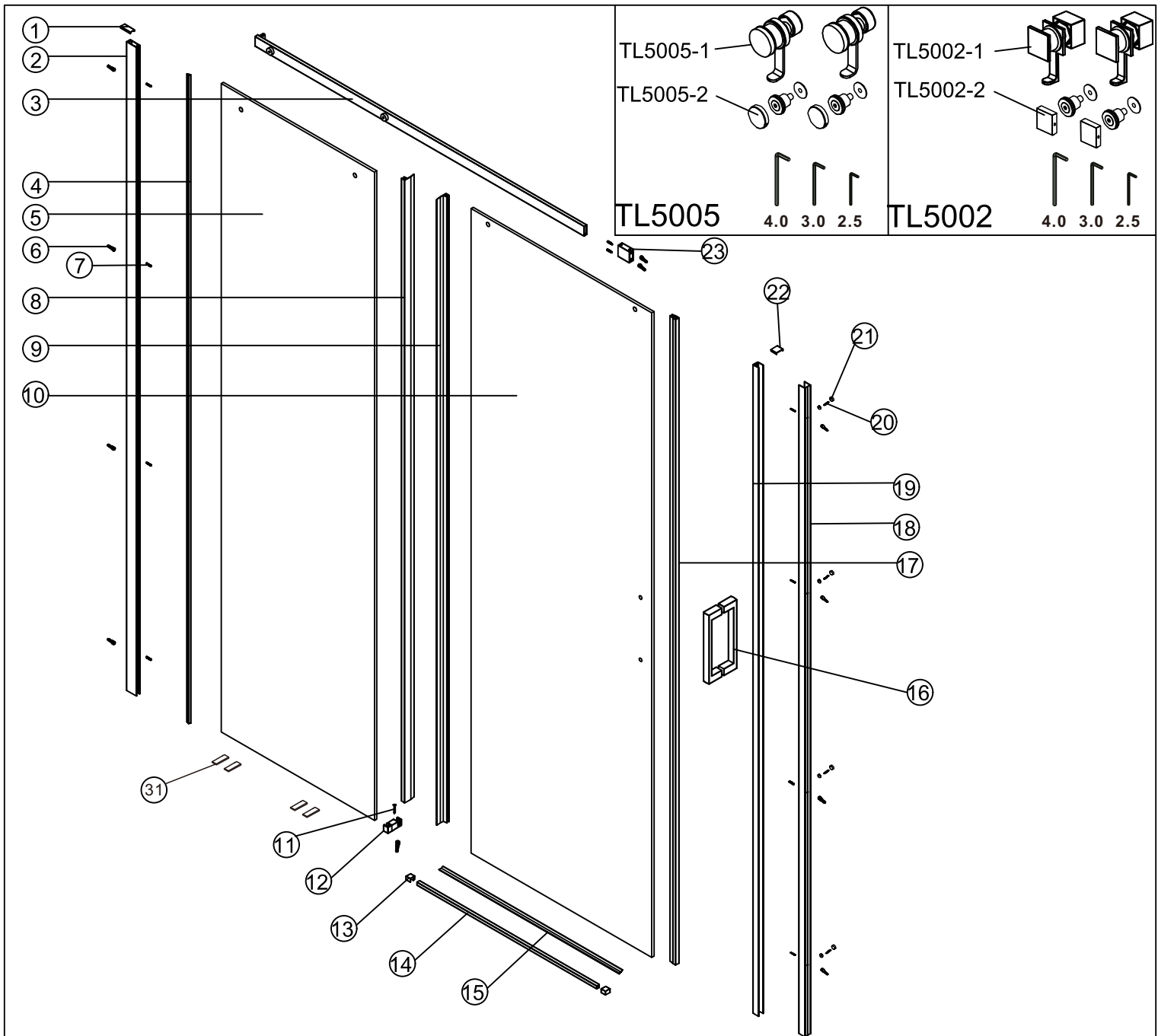
Polysan s.r.o.

Nesměřice 52

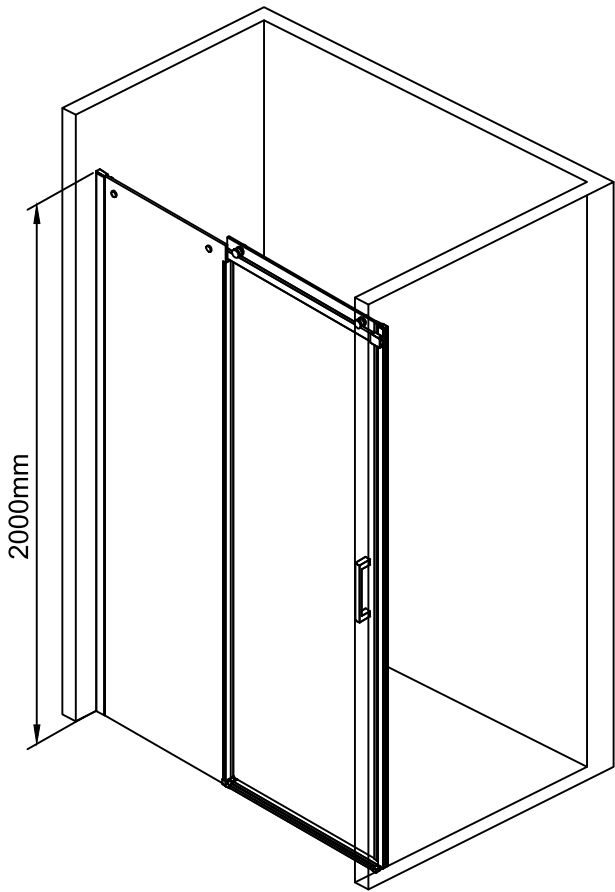
285 22 Zruč nad Sázavou

Czech Republic

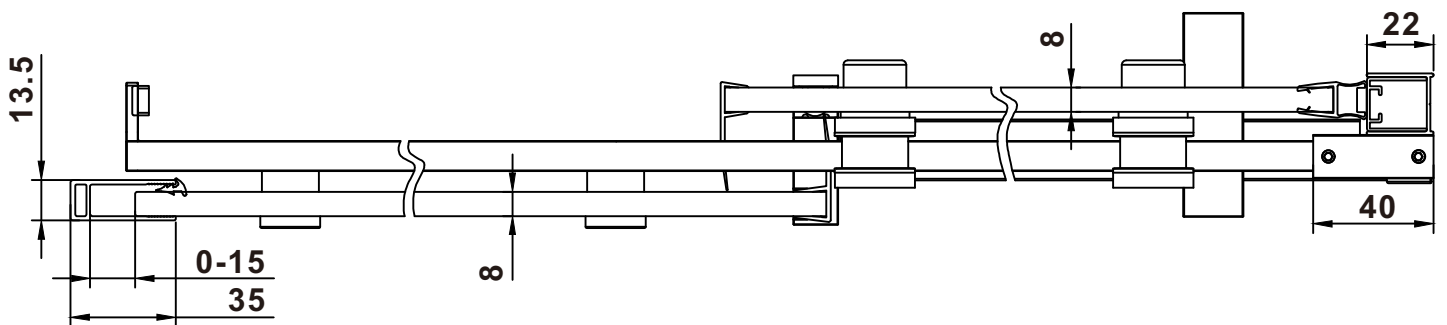
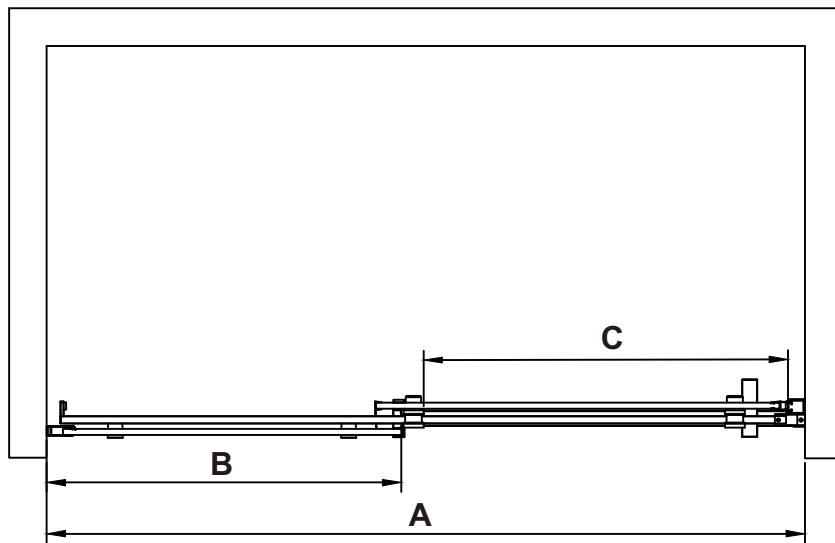
www.polysan.cz

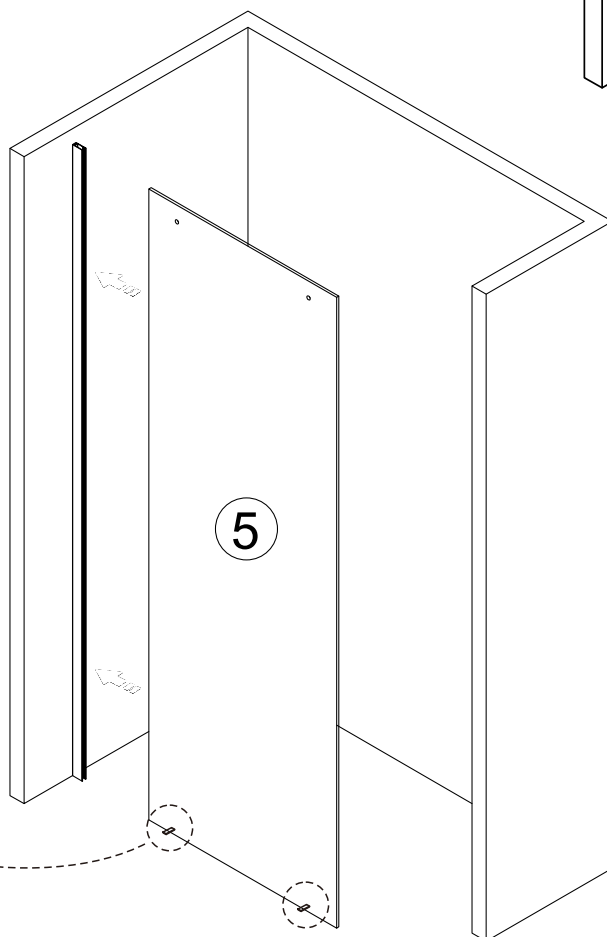
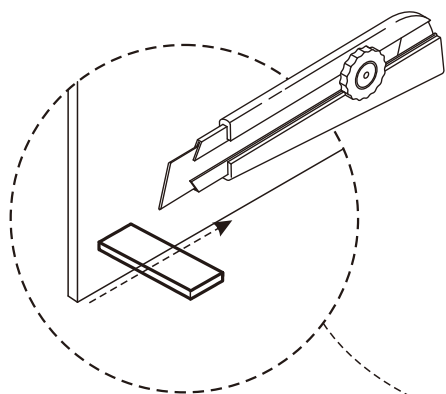
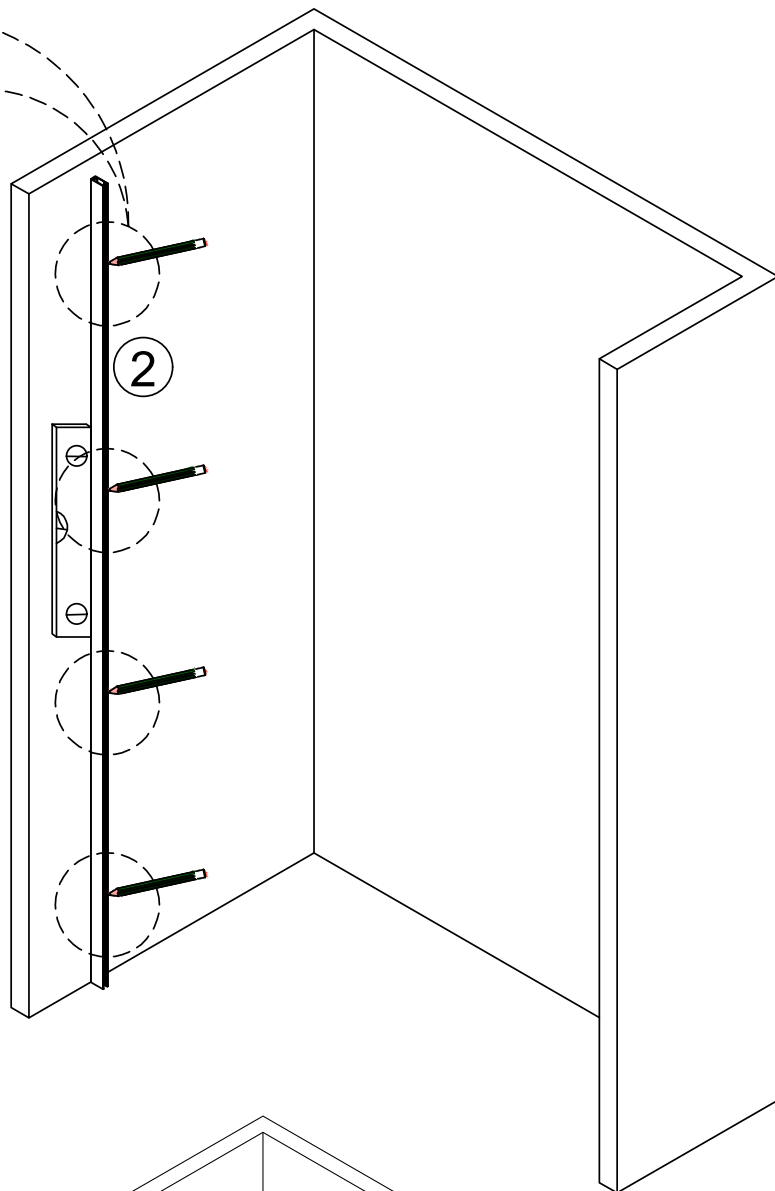
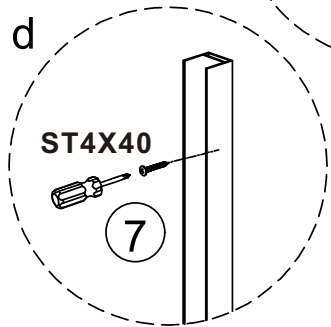
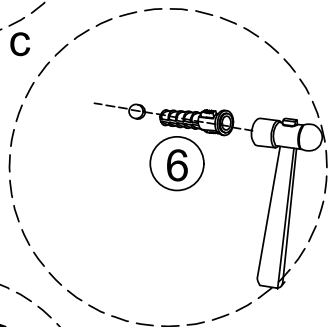
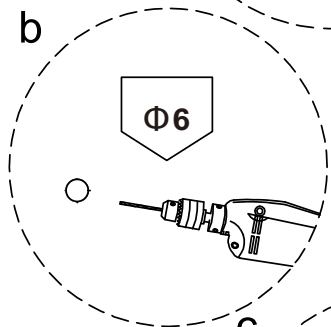
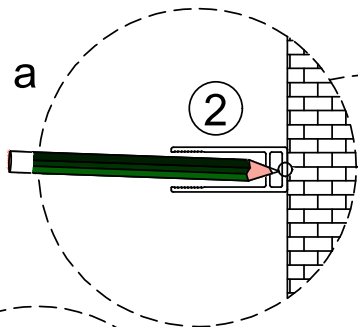


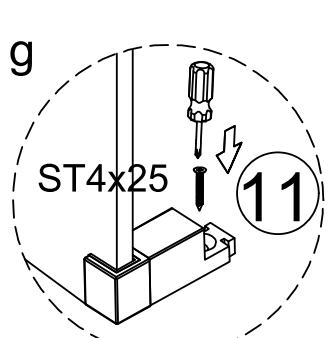
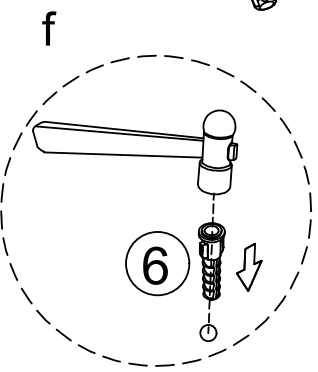
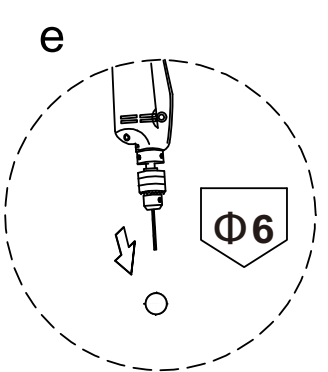
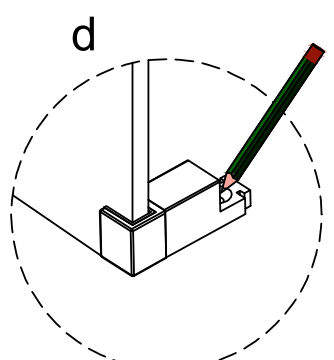
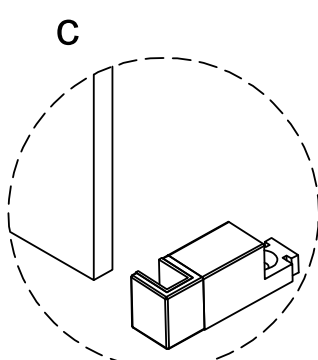
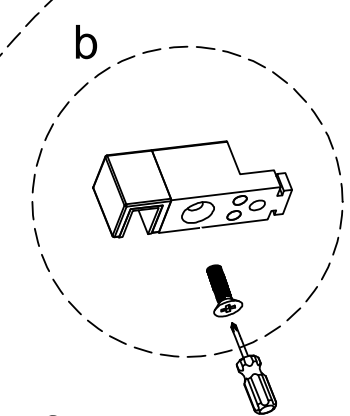
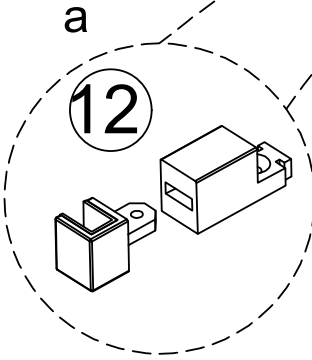
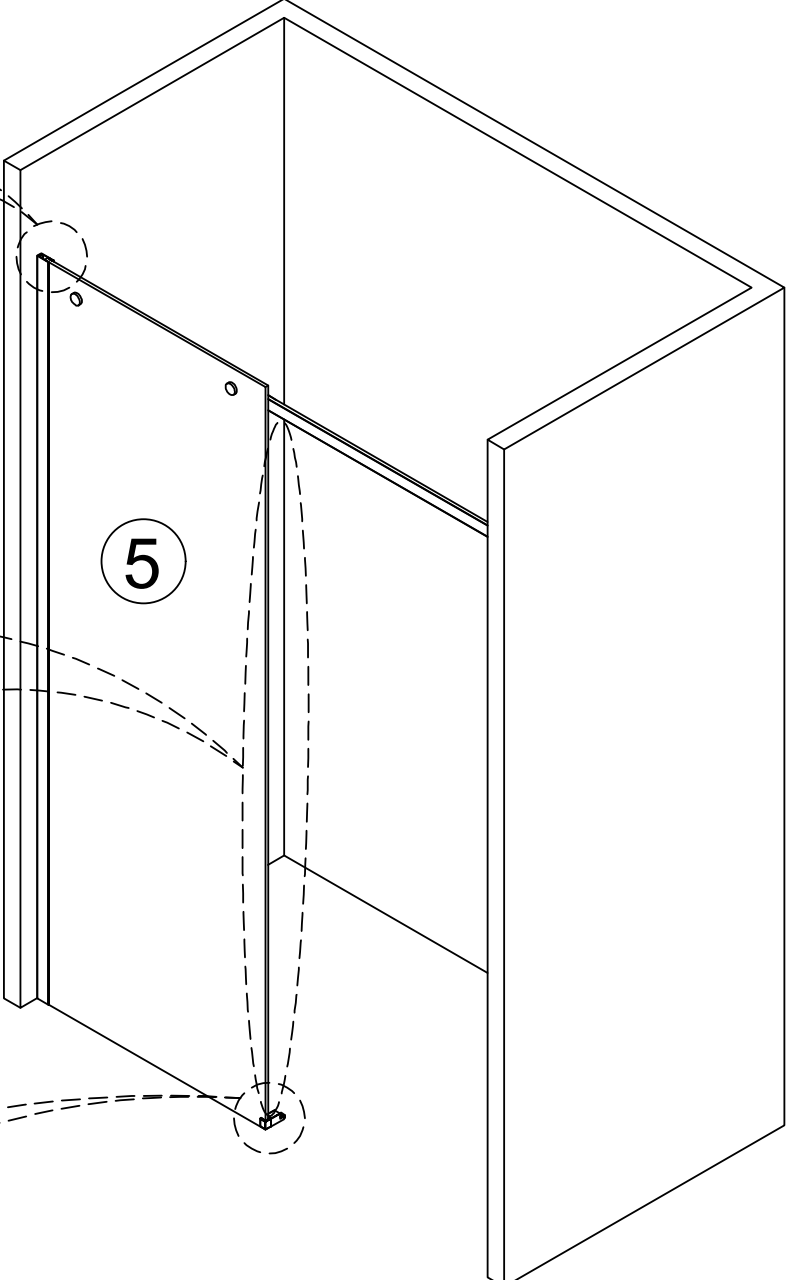
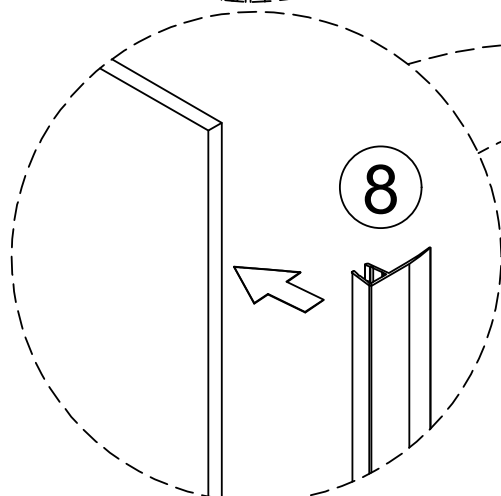
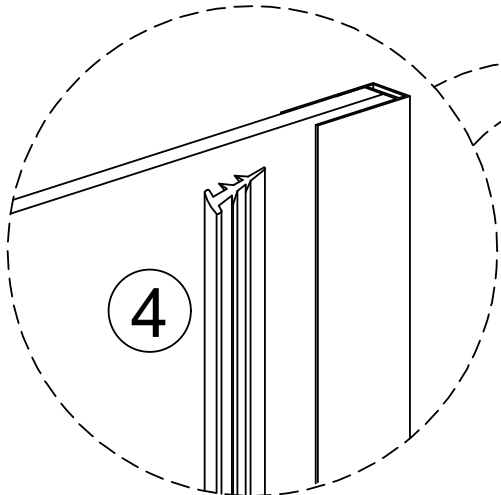
① x1	② x1	③ x1	④ x1	⑤ x1	⑥ x11
⑦ x10 ST4*40	⑧ x1 1918mm	⑨ x1 1988mm	⑩ x1	⑪ x1 ST4*25	⑫ x1
⑬ x2	⑭ x1	⑮ x1	⑯ x1	⑰ x1	⑱ x1
⑲ x1	⑳ x4 ST4*13	㉑ x4	㉒ x1	㉓ x1	㉔ x4 2mm 1mm

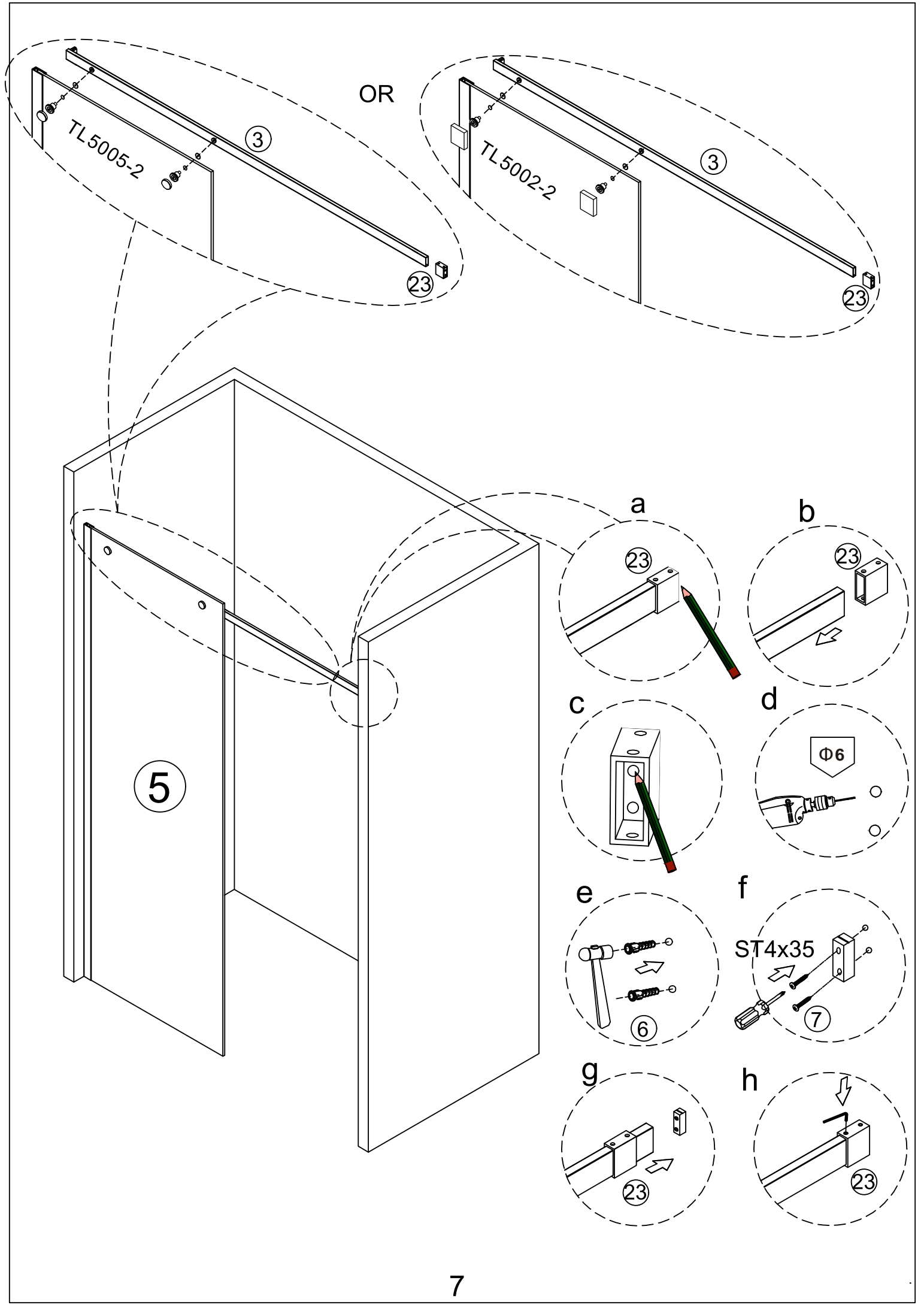


MODEL	A	B	C
TL5010	980-1010mm	458mm	396mm
TL5011	1080-1110mm	508mm	446mm
TL5012	1180-1210mm	558mm	496mm
TL5013	1280-1310mm	608mm	546mm
TL5014	1380-1410mm	658mm	596mm
TL5015	1480-1510mm	708mm	646mm
TL5016	1580-1610mm	808mm	646mm









OR

TL5005-2

TL5002-2

5

a

b

c

d

e

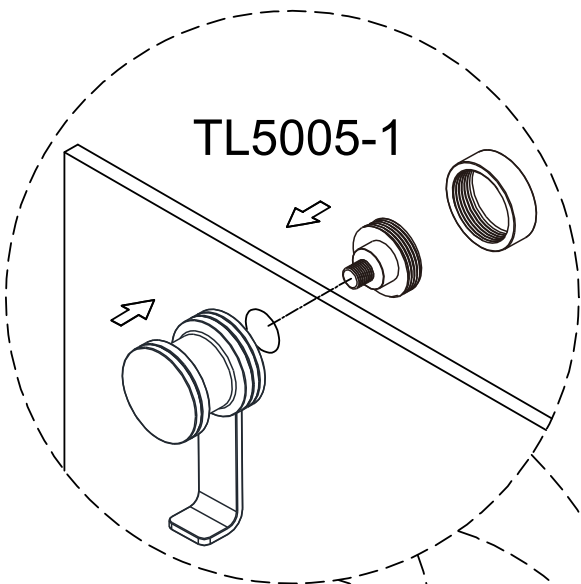
f

g

h

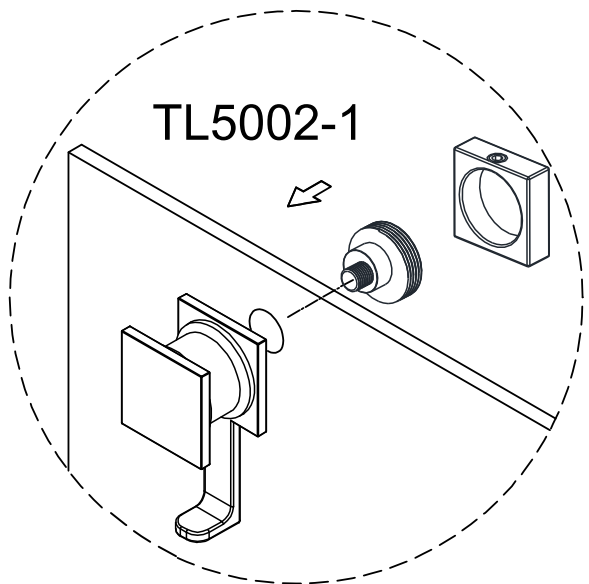
ST4x35

TL5005-1

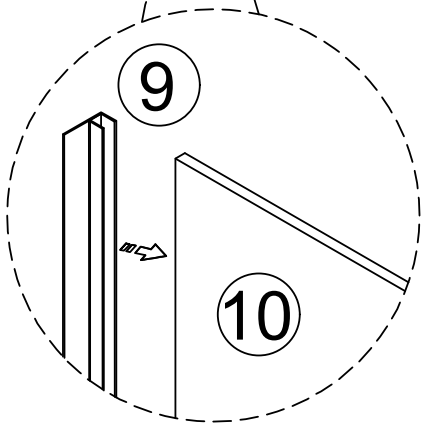


OR

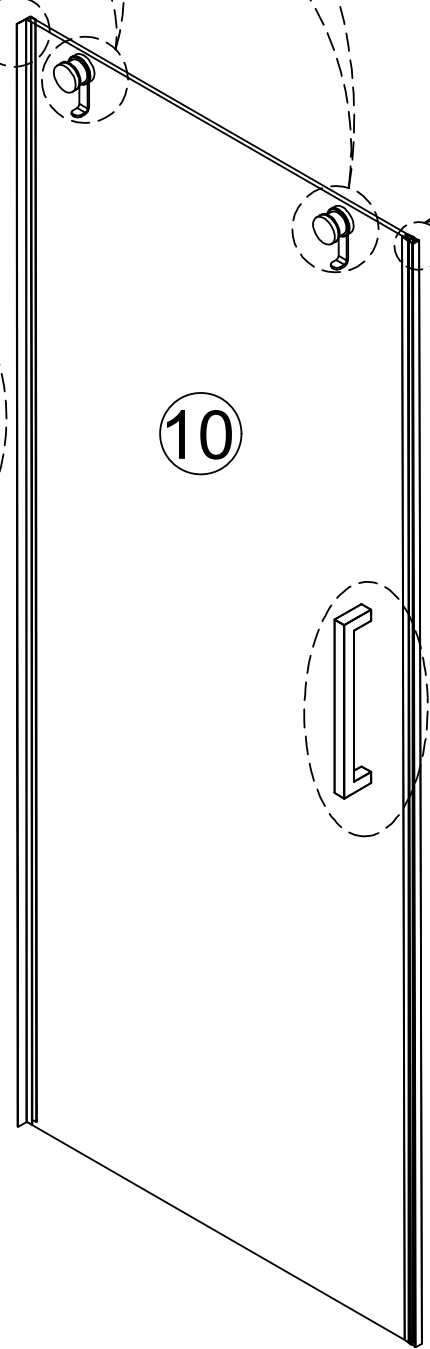
TL5002-1



9

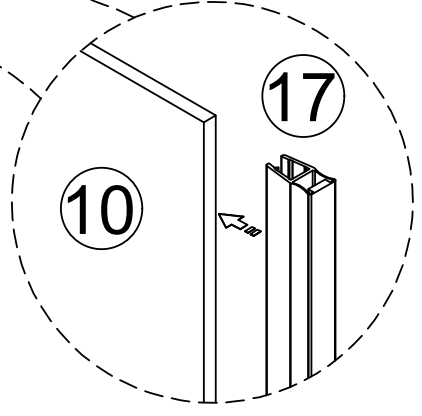


10

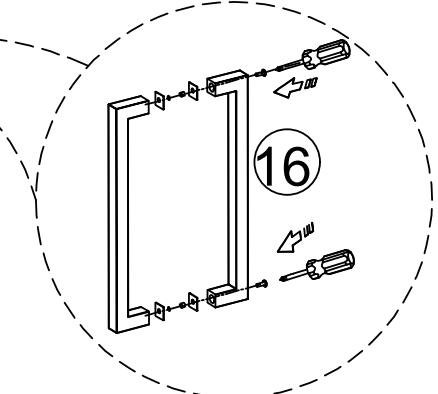


17

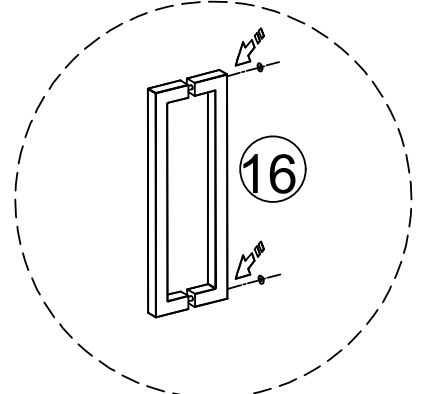
10

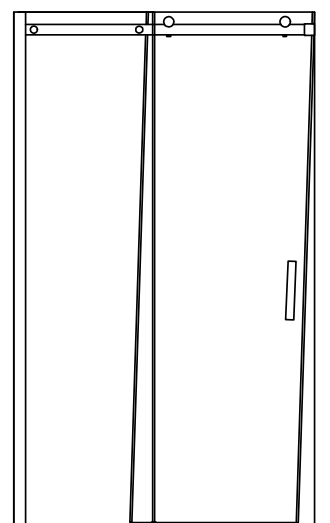
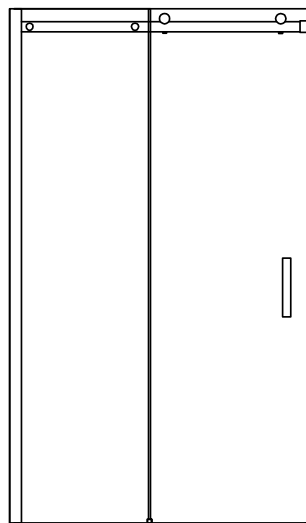
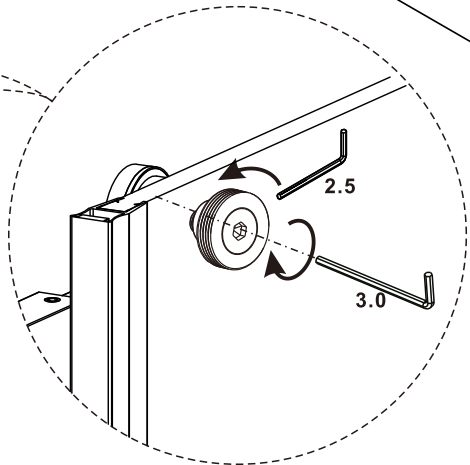
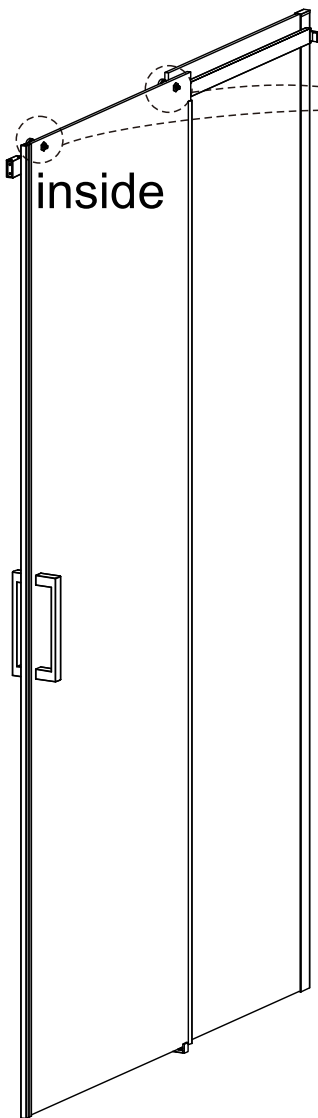
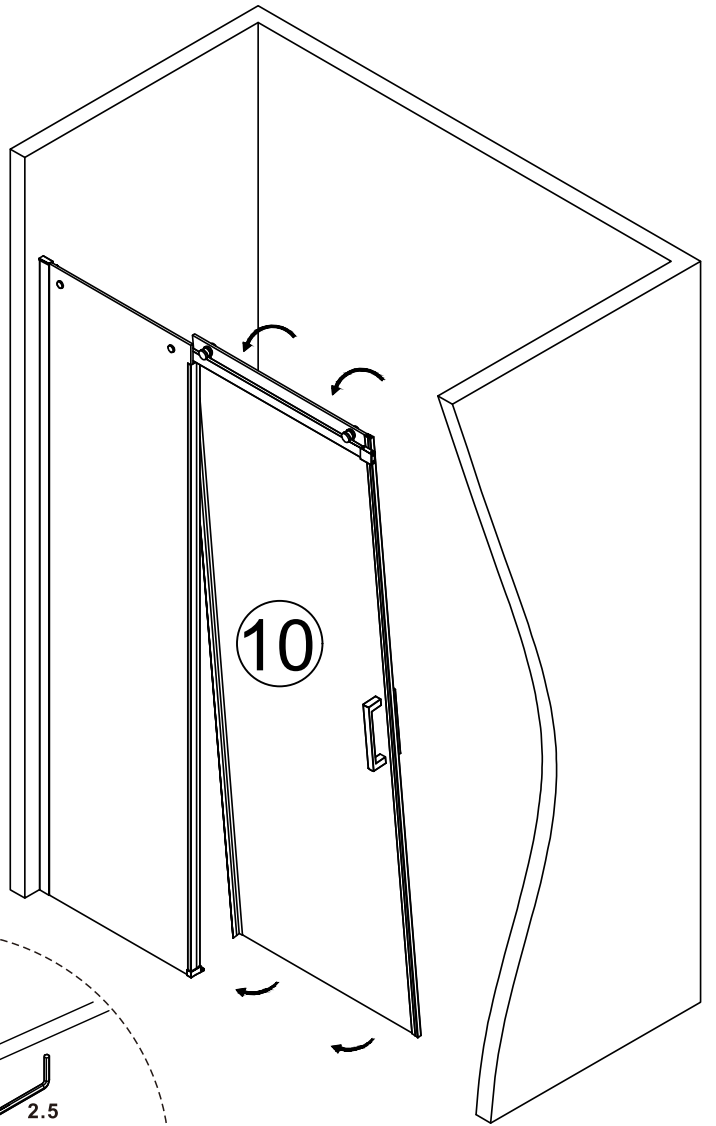
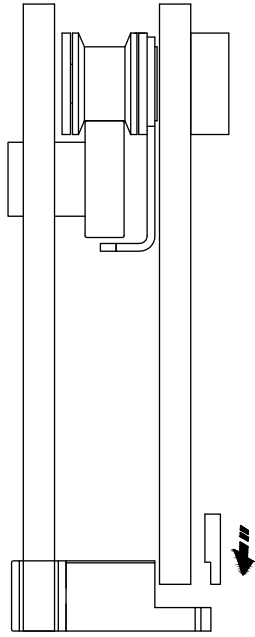
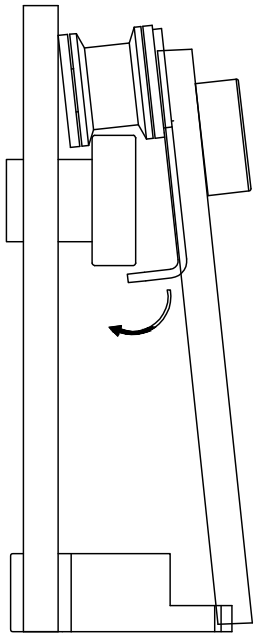


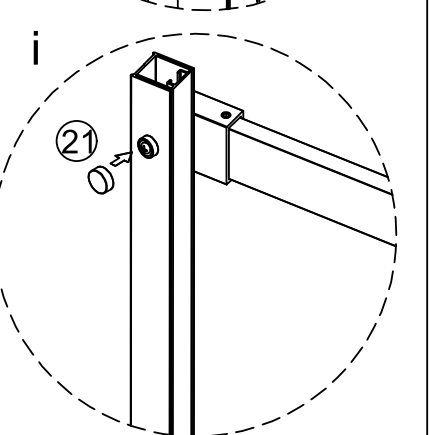
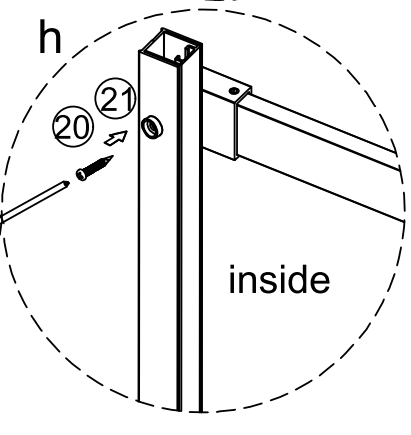
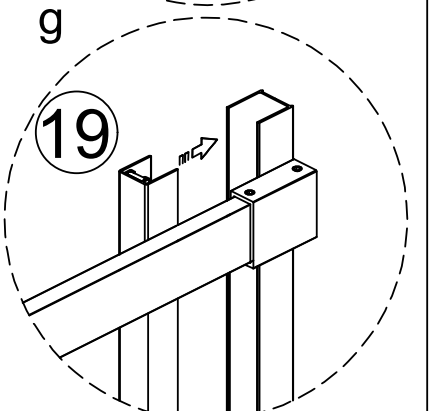
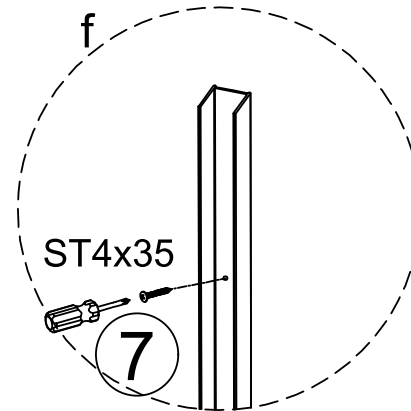
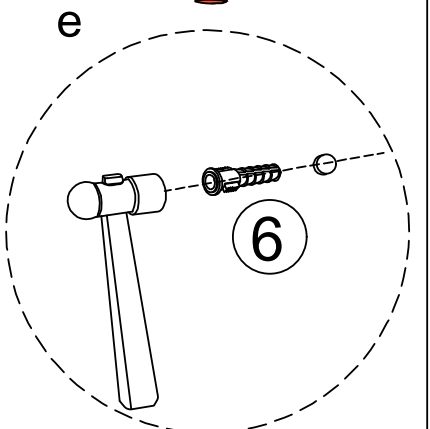
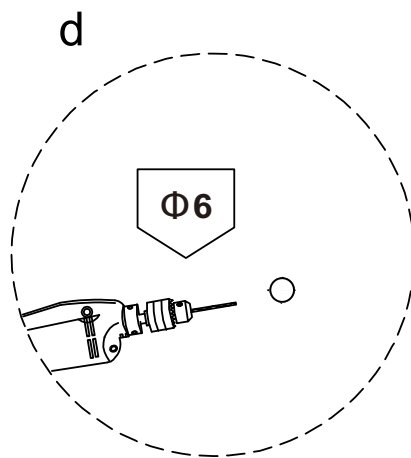
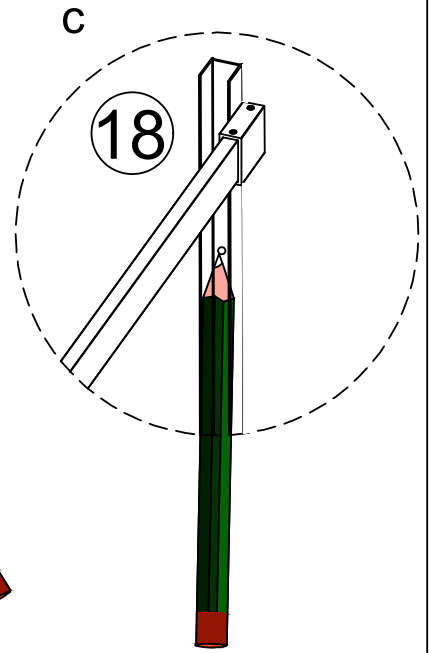
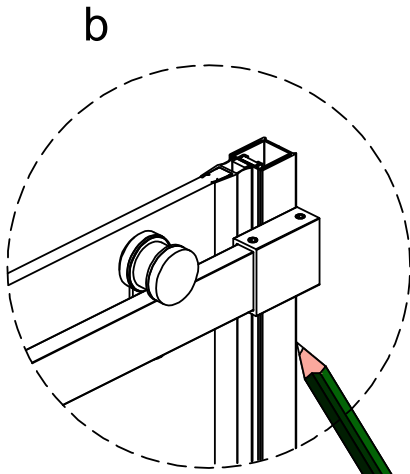
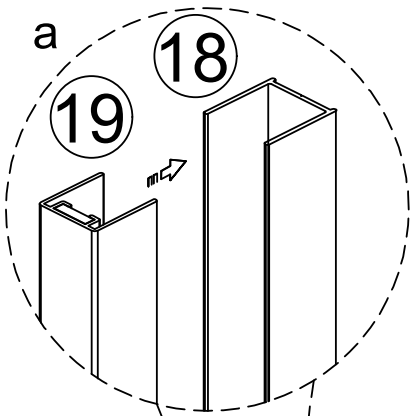
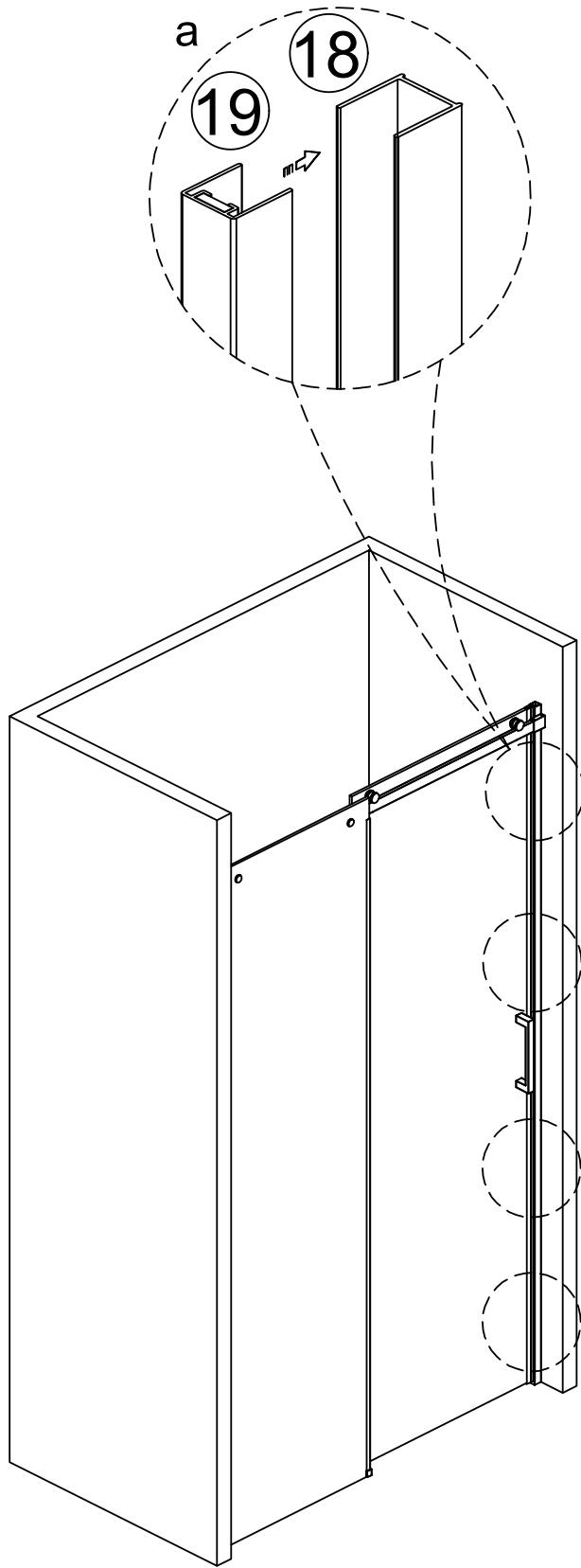
16

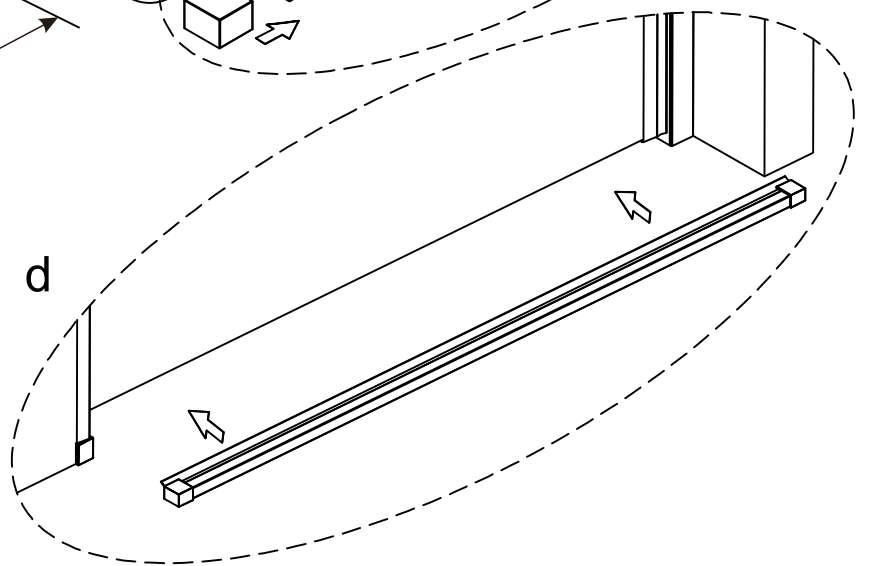
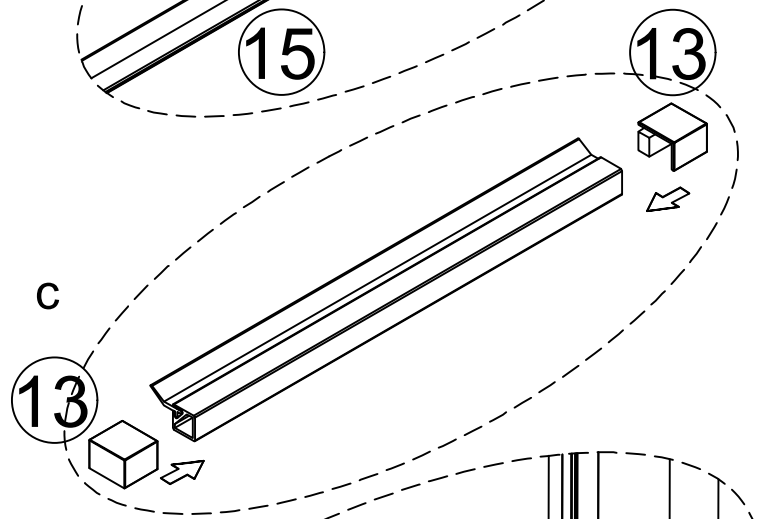
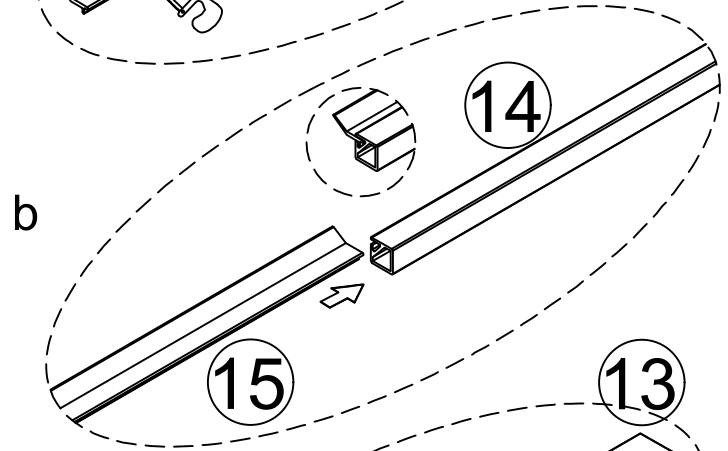
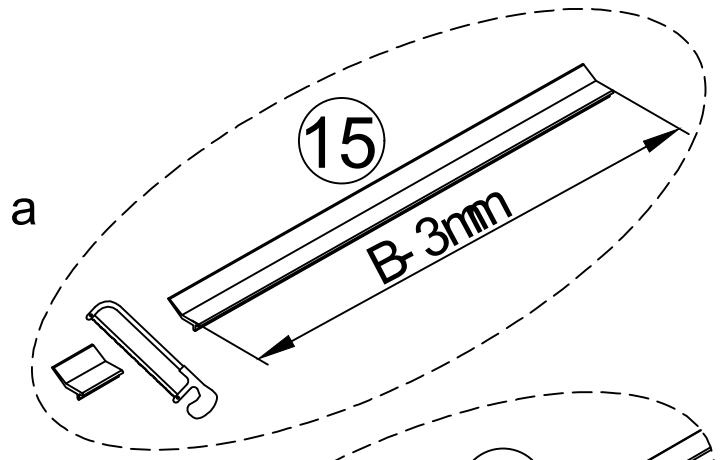
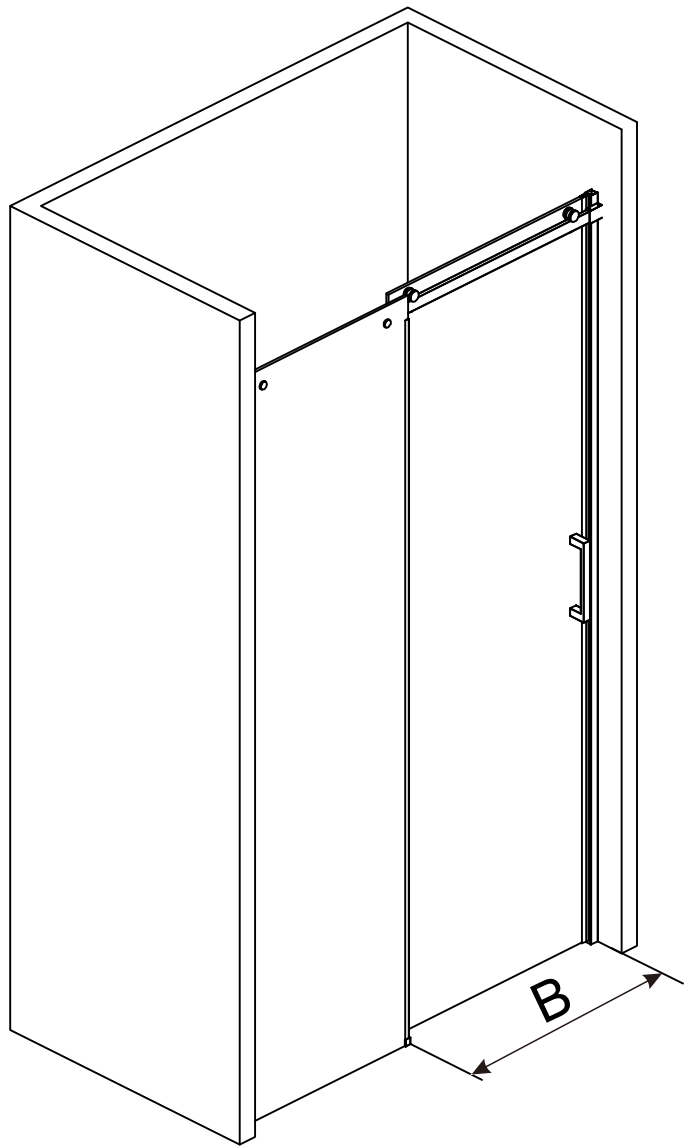


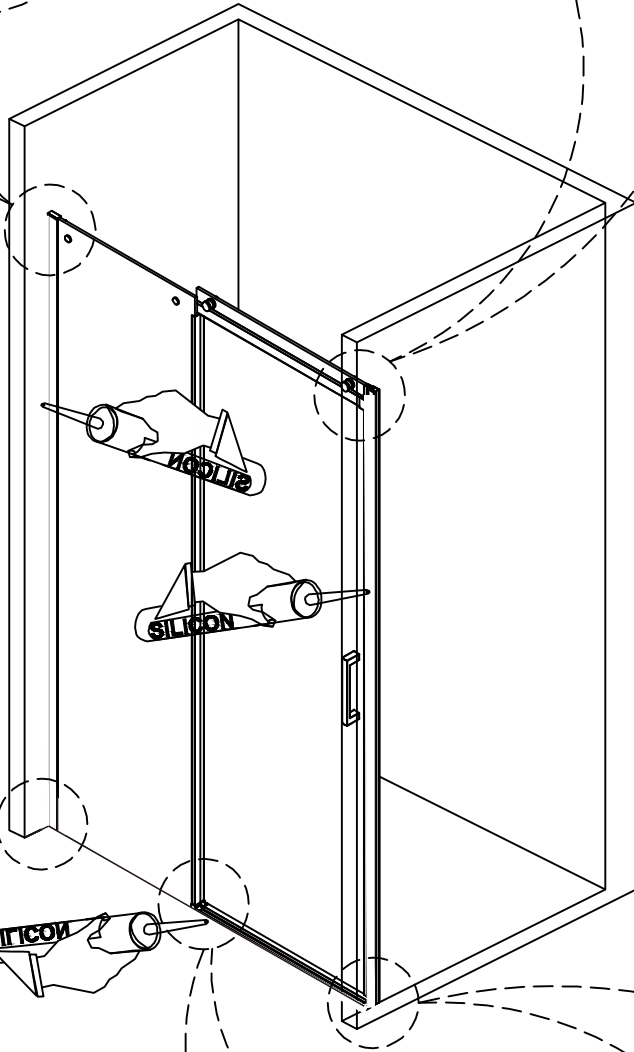
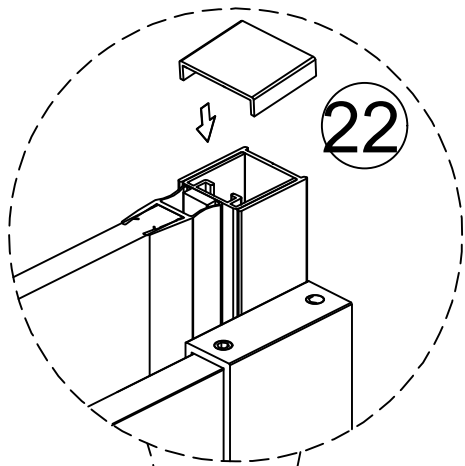
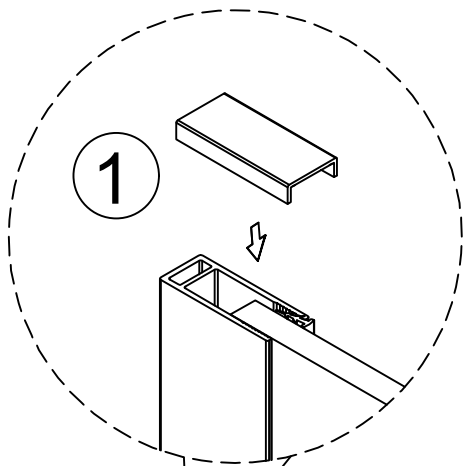
16



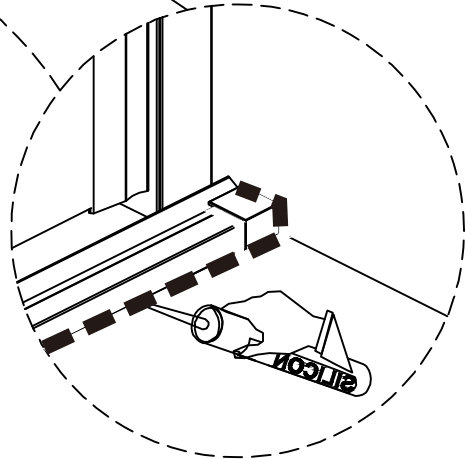
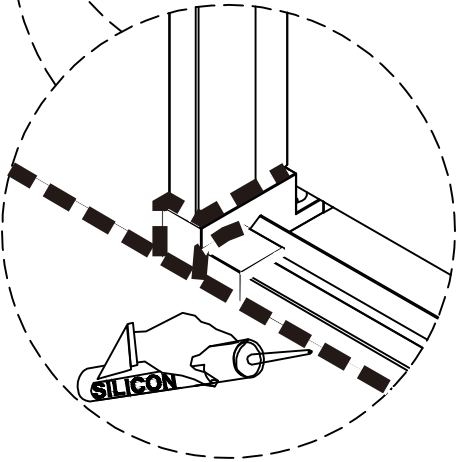
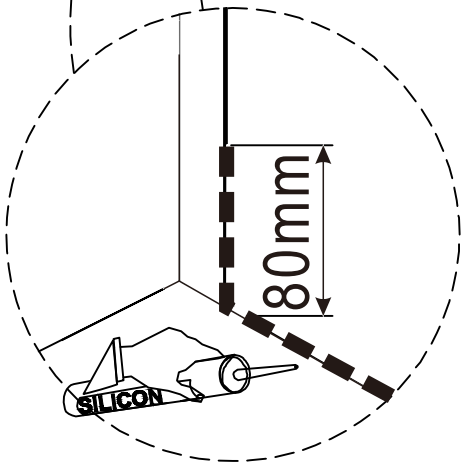
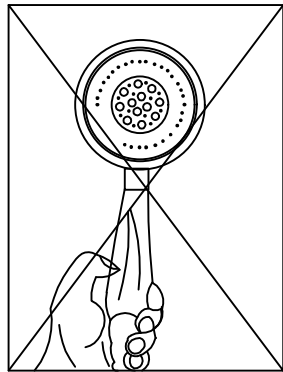






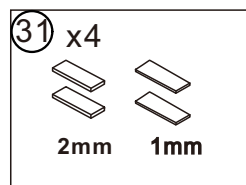
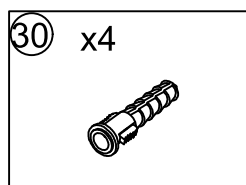
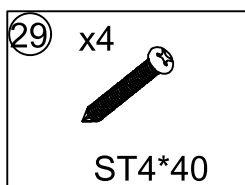
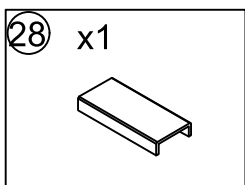
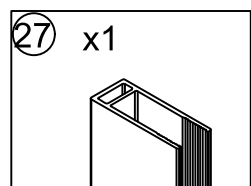
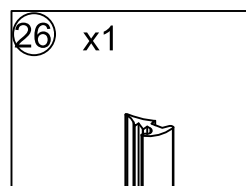
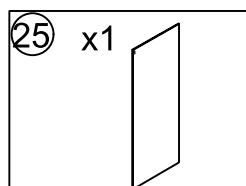
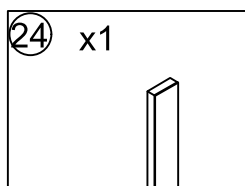
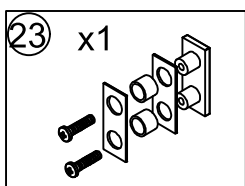
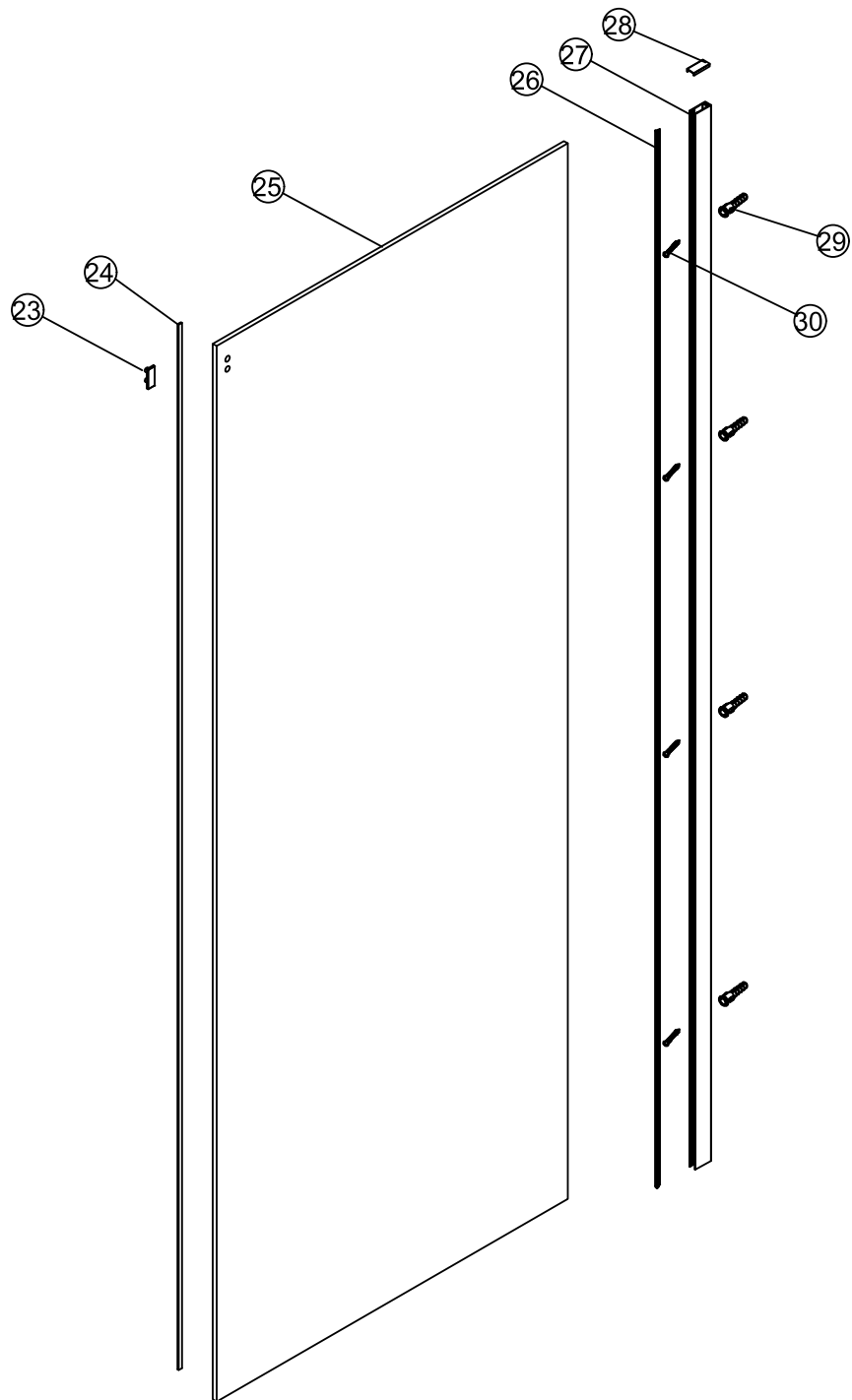


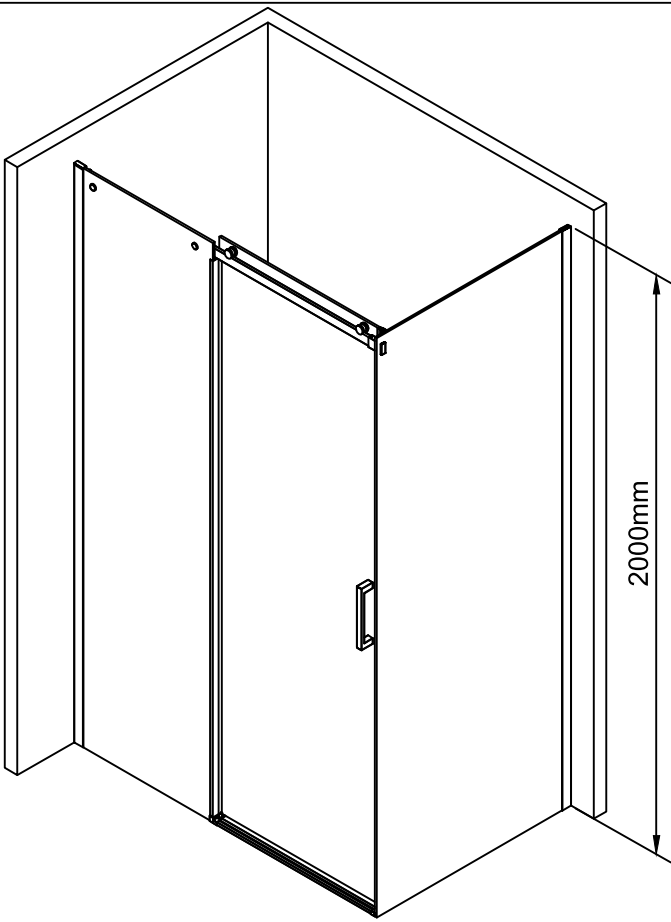
24HRS



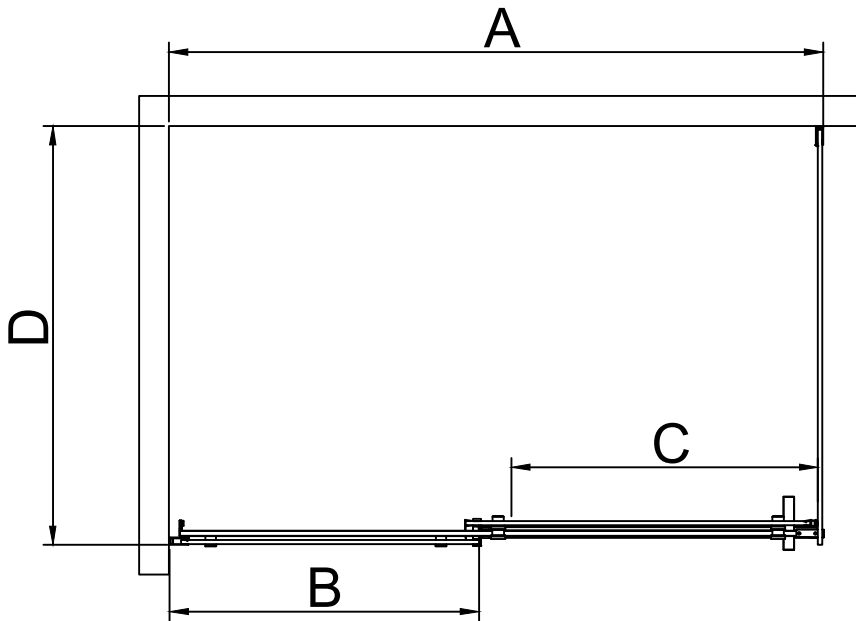
THRON

TL3070/TL3080/TL3090/TL3010

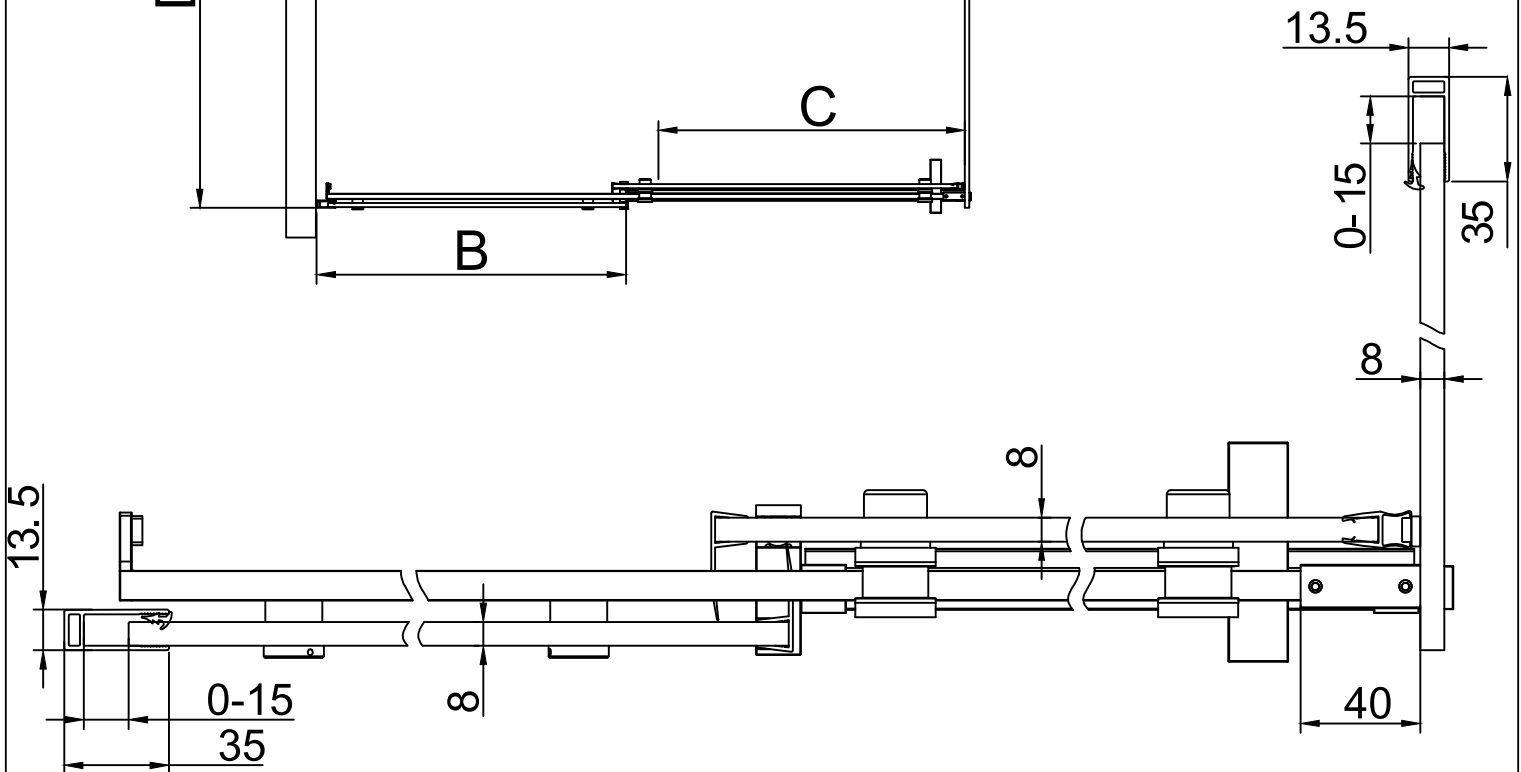


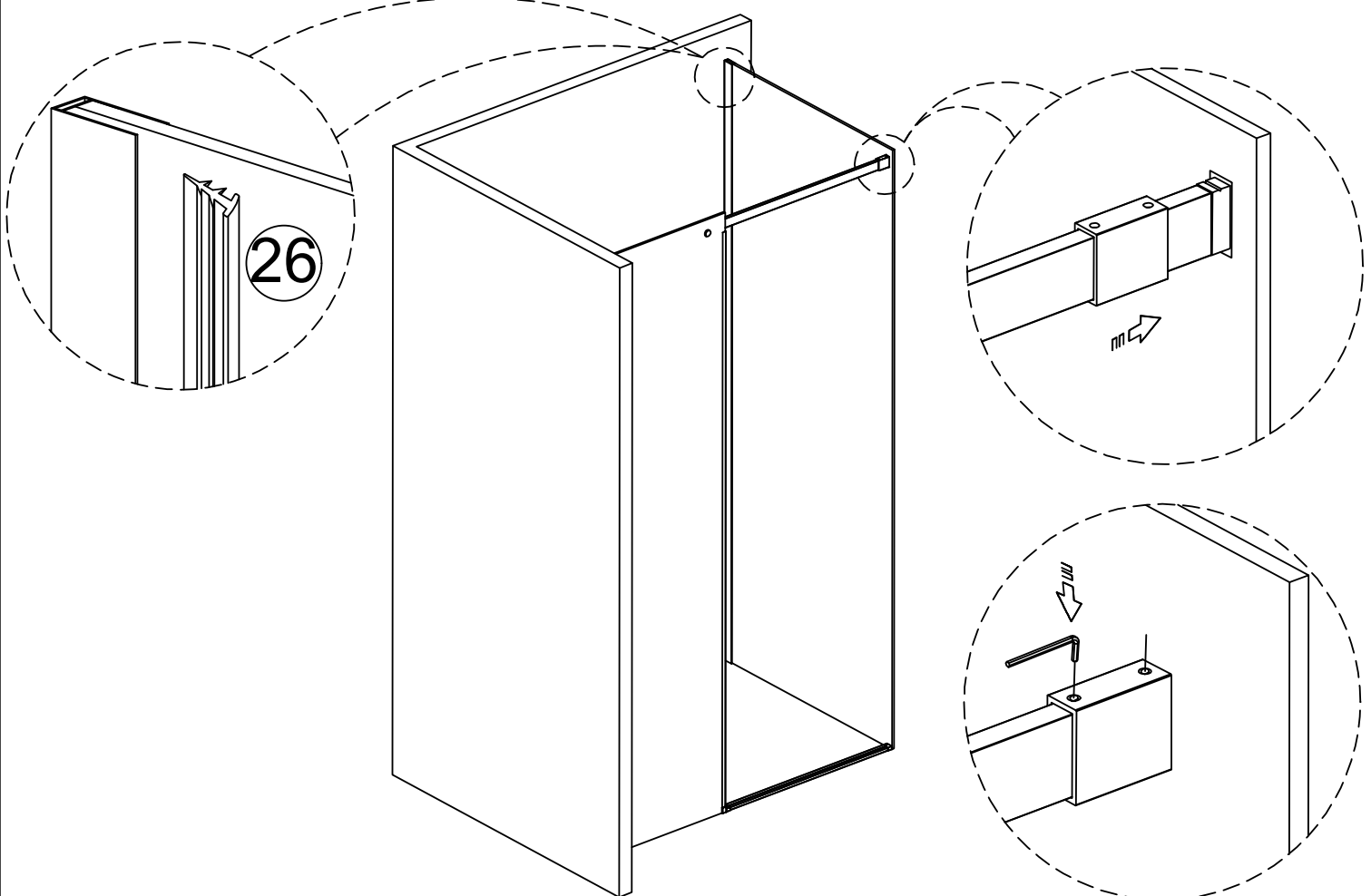
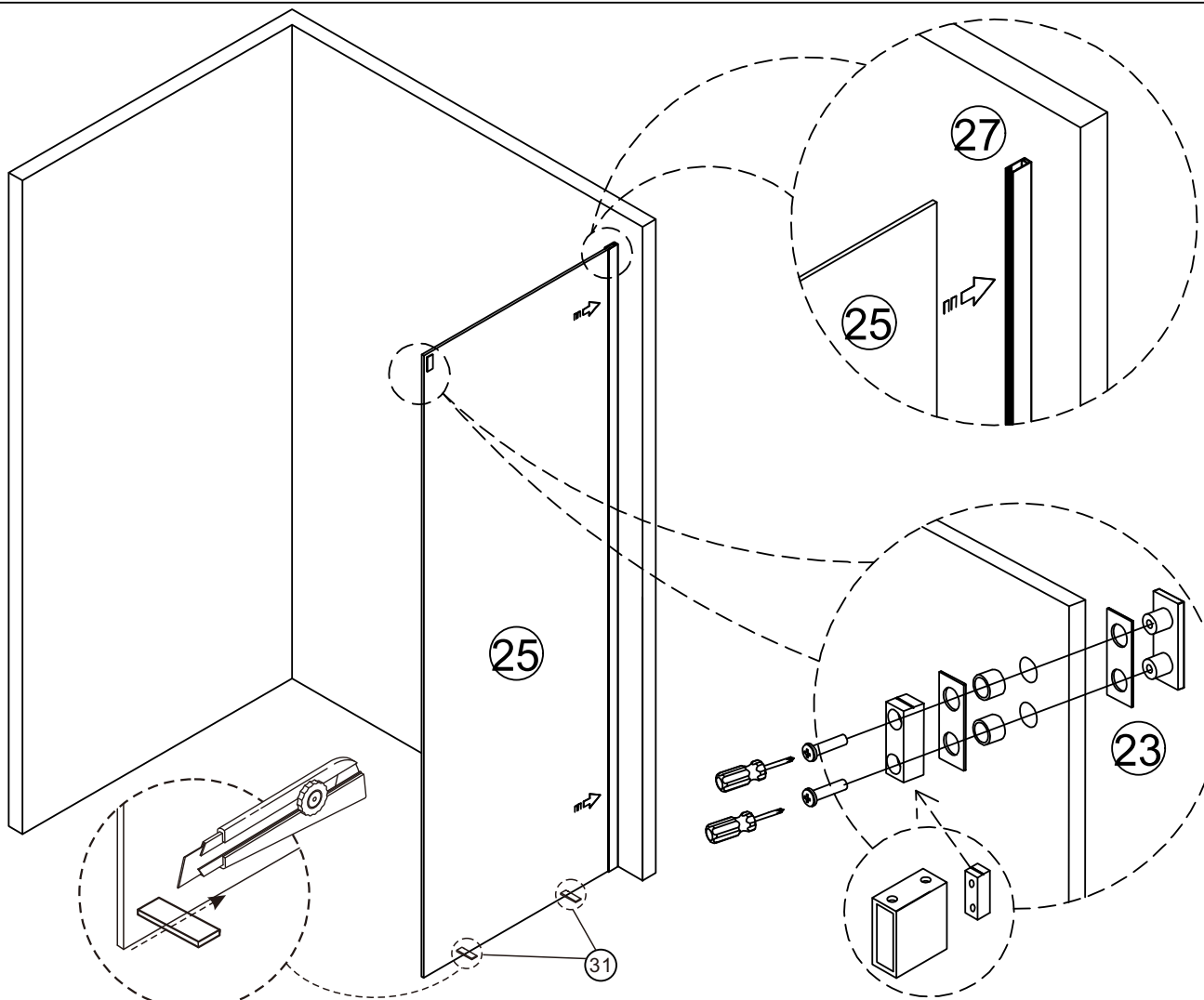


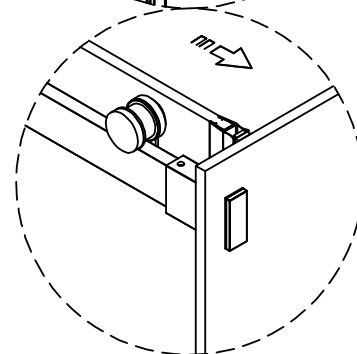
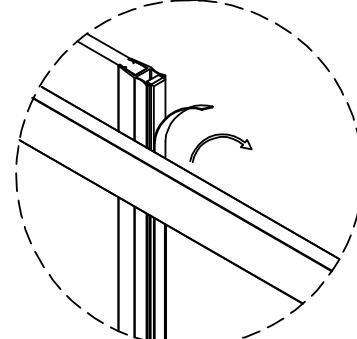
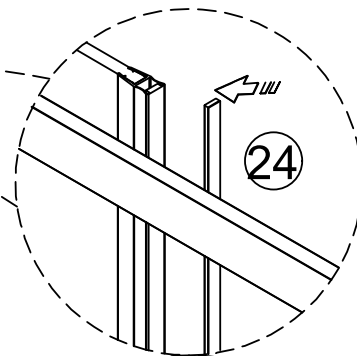
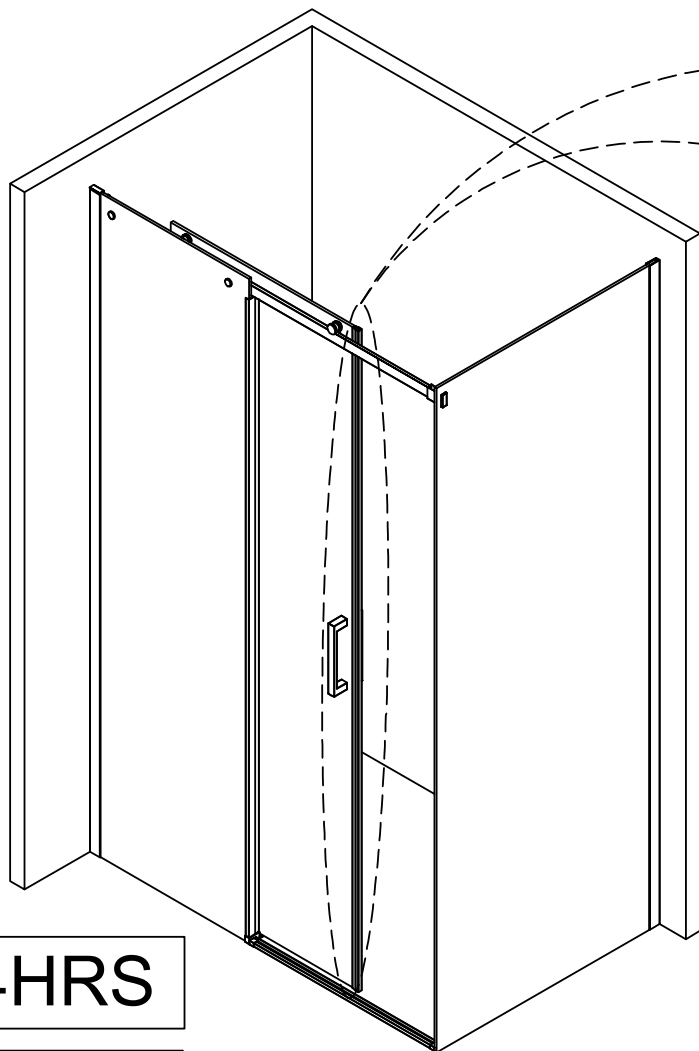
MODEL	WITH	A	B	C
TL5010	TL3070 TL3080 TL3090 TL3010	990-1020mm	458mm	396mm
TL5011		1090-1120mm	508mm	446mm
TL5012		1190-1220mm	558mm	496mm
TL5013		1290-1320mm	608mm	546mm
TL5014		1390-1420mm	658mm	596mm
TL5015		1490-1520mm	708mm	646mm
TL5016		1590-1620mm	808mm	646mm



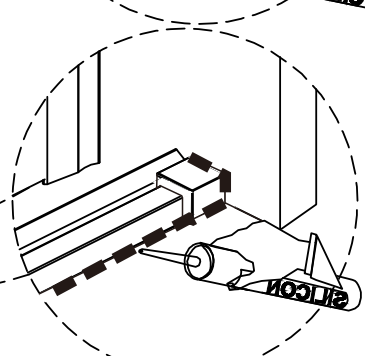
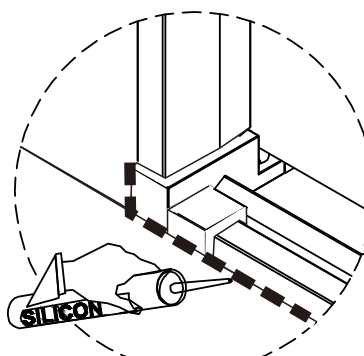
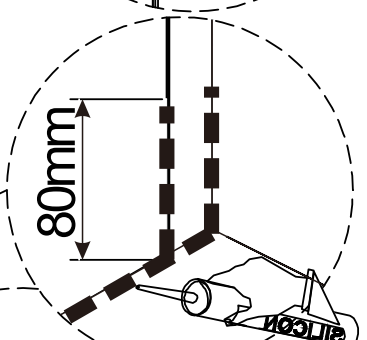
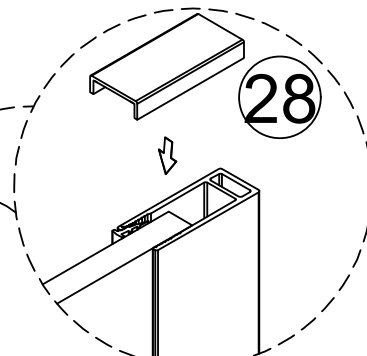
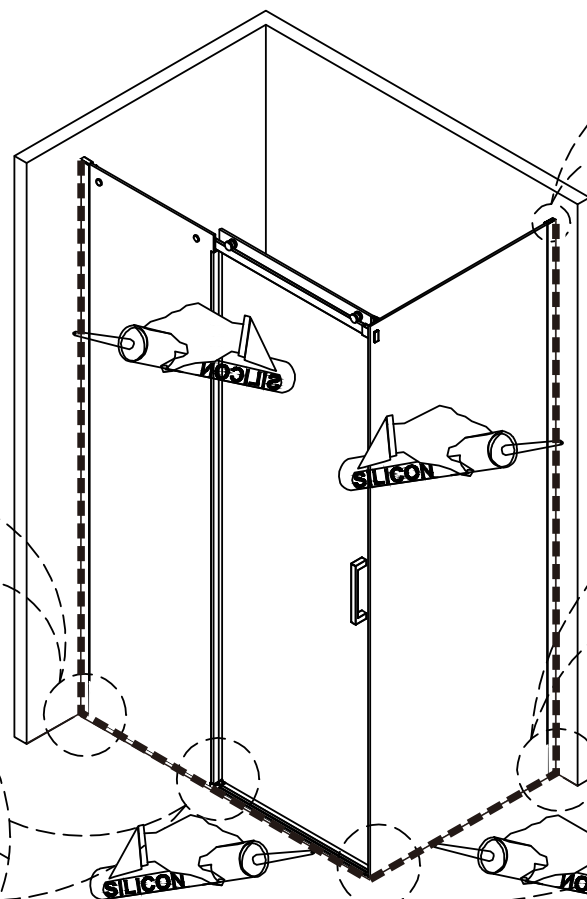
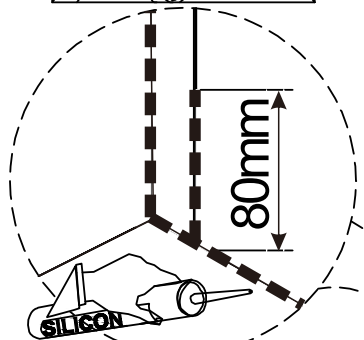
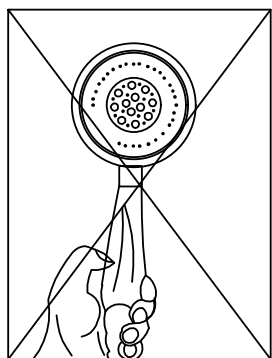
MODEL	D
TL3070	680-695mm
TL3080	780-795mm
TL3090	880-895mm
TL3010	980-995mm







24HRS





Polysan s.r.o.
Nesměřice 52
285 22 Zruč nad Sázavou
Czech Republic
www.polysan.cz

EN 14428

Glass shower enclosure
cleaning efficiency: conforming
impact resistance: conforming
operating life: conforming

Skleněné sprchové zástěny
schopnost čištění: vyhovuje
odolnost proti nárazu: vyhovuje
životnost: vyhovuje