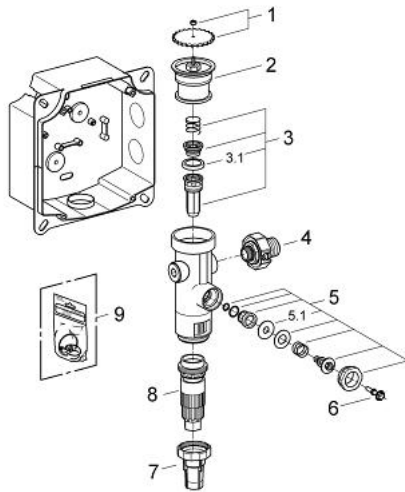


37 157 000 FLUSH VALVE FOR WC



SPARE PARTS, July 2008 – now

- 1: Hand wheel (Order-nr. 43043000)
 - 2: Cover (Order-nr. 43122000)
 - 3: Piston (Order-nr. 43451000)
 - 3.1: Sleeve (Order-nr. 4376900M)
 - 4: Isolating valve (Order-nr. 43405000)
 - 5: Safety valve (Order-nr. 43422000)
 - 5.1: Membrane (Order-nr. 4377300M)
 - 6: Operating rod (Order-nr. 43067000)
 - 7: Discharge Sleeve (Order-nr. 43326000)
 - 8: Throttle nozzle (Order-nr. 43408000)
 - 9: Repl. kit f. seal (Order-nr. 43012000)*
- * Optional accessories