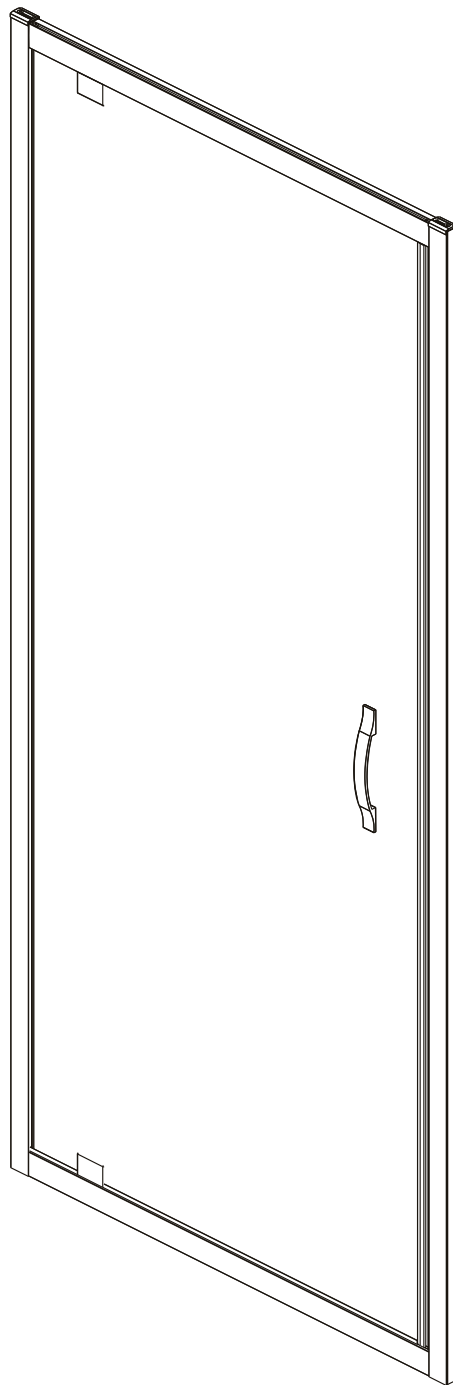


# SIGMA SIMPLY

GS1279,GS3888,GS1296,GS3899



EN14428

Glass shower enclosure  
cleaning efficiency: conforming  
impact resistance: conforming  
operating life: conforming

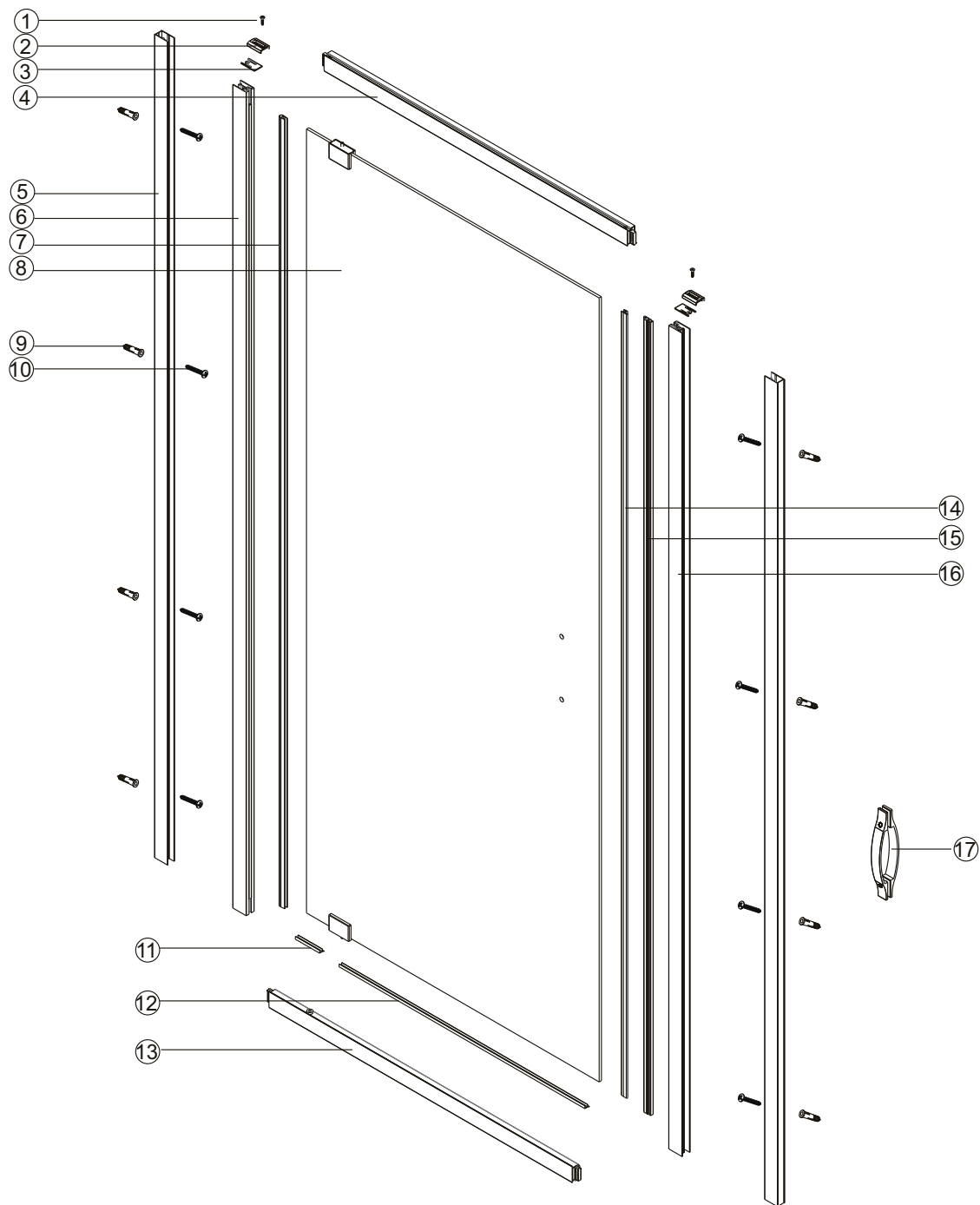
Skleněné sprchové zástěny  
schopnost: vyhovuje  
odolnost proti nárazu: vyhovuje  
životnost: vyhovuje



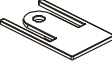
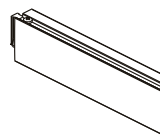
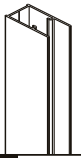


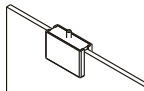
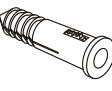

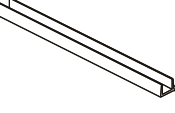
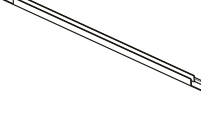
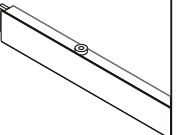


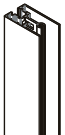

 **GELCO**

---

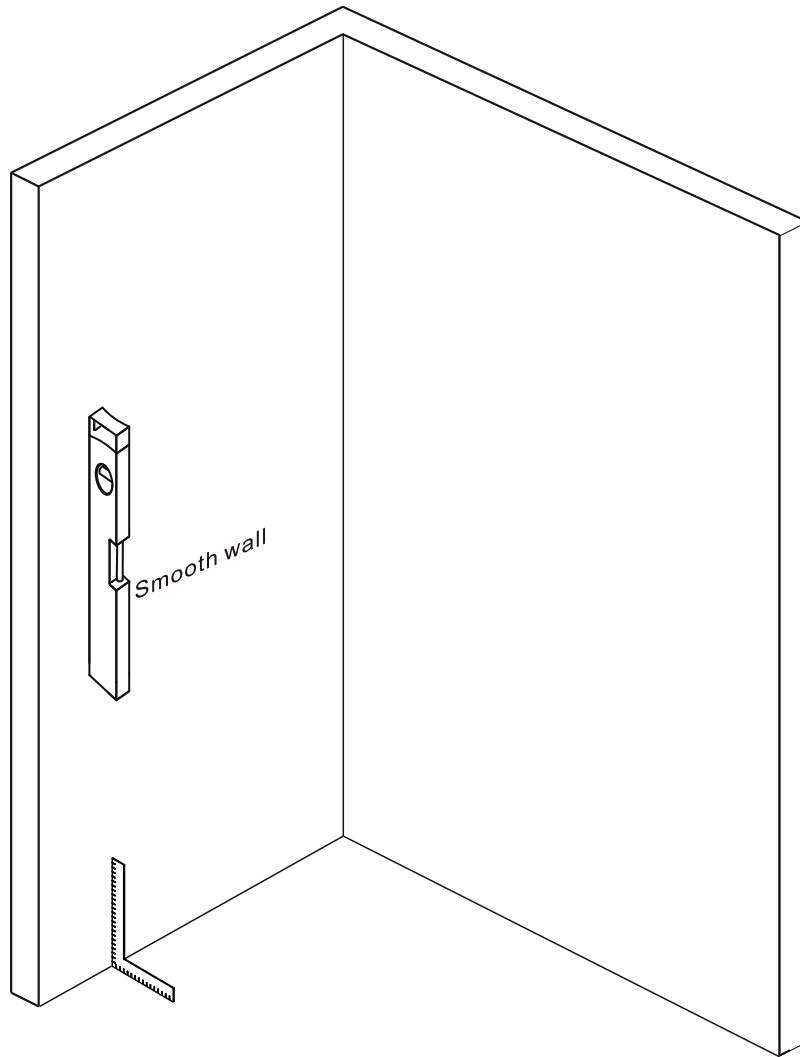
GELCO s.r.o., Makovského 1341, 163 000 Praha 6

---

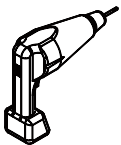


1 X2  ST4X20	2 X2 	3 X2 	4 X1 	5 X2 	6 X1 
7 X1 	8 X1 	9 X8 	10 X8  ST4X40	11 X1 	12 X1 
13 X1 	14 X1 	15 X1 	16 X1 	17 X1 	

# PREPARATION



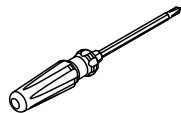
## TOOLS AND MATERIALS REQUIRED



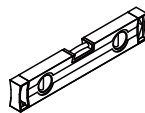
PERCEUSE  
DRILL



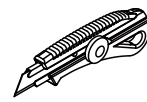
VIS  
SCREWS



TOURNEVIS  
SCREWDR



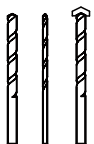
NIVEAU  
LEVEL



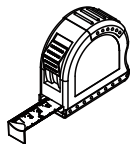
COUTEAU DE PRECISION  
PRECISION KNIFE



SILICONE  
SILICONE



FORETS: 1/8", 3/16" ET 1/4"  
\*FORET À MAÇONNERIE  
DRILL BITS: 1/8", 3/16" ET 1/4"  
\*MASONRY DRILL BIT



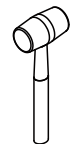
RUBAN À MESURER  
MEASURING TAPE



ÉQUERRE  
SET SQUARE

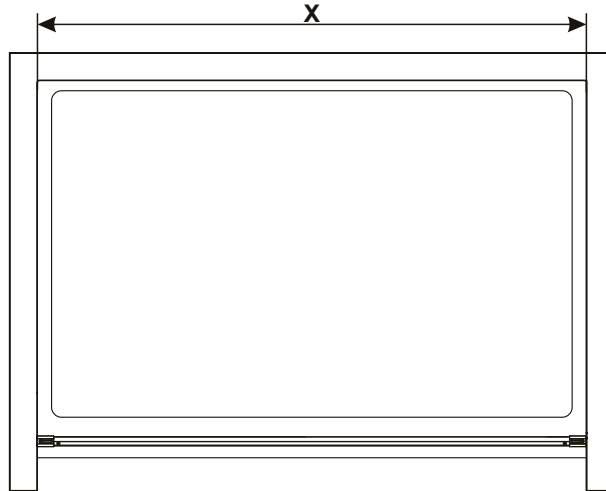


CRAYON  
PENCIL



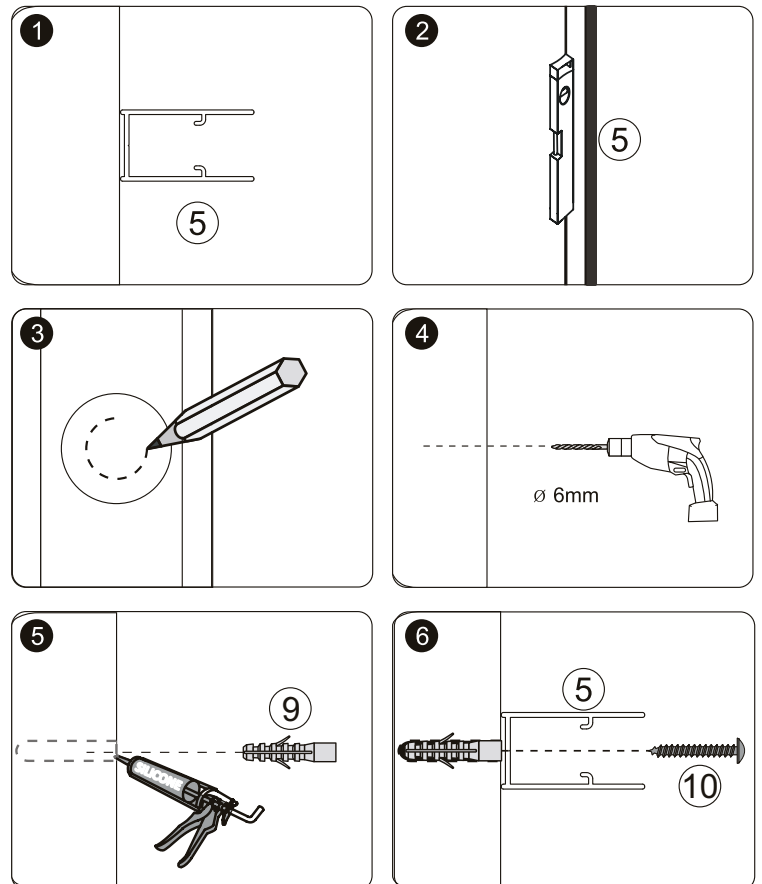
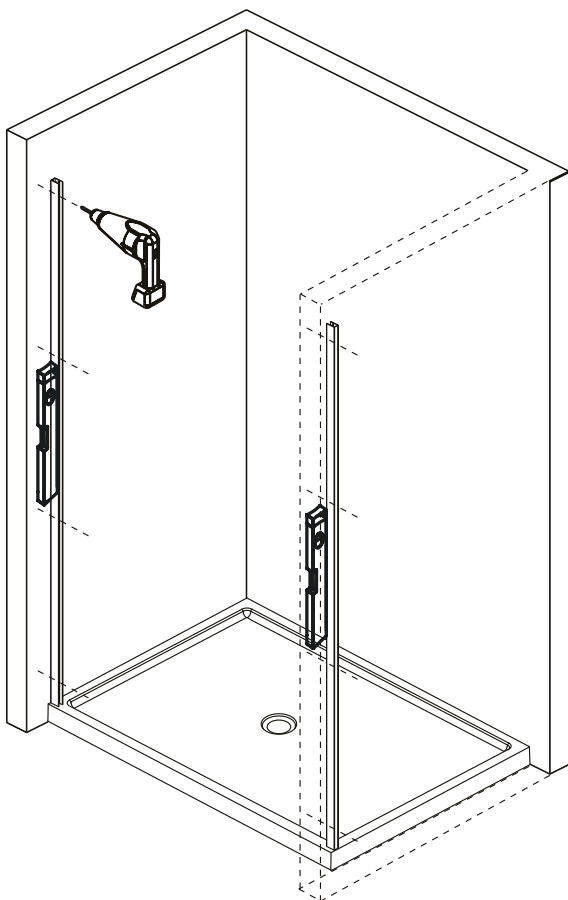
MAILLET  
MALLET

**A** 01

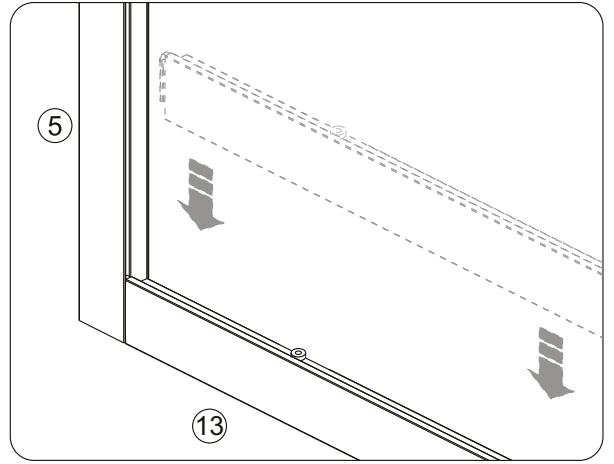
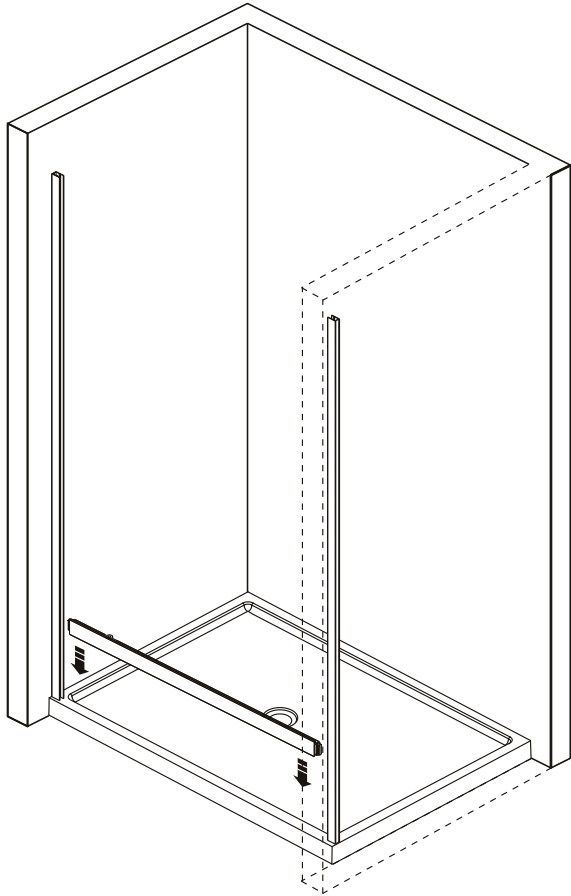


SIZE	X,mm
800X1900	770~810
900X1900	870~910

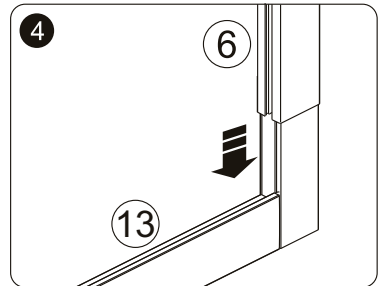
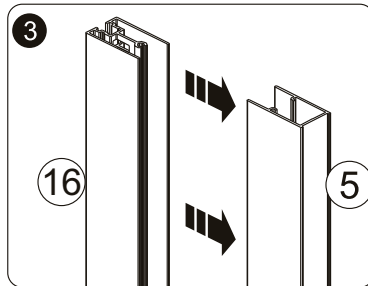
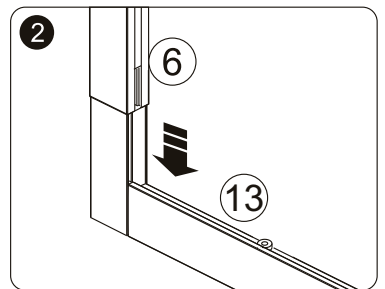
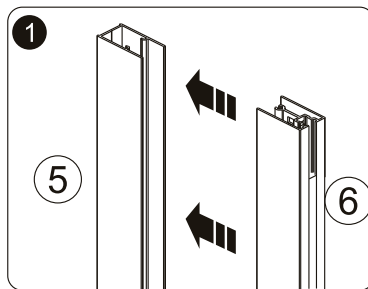
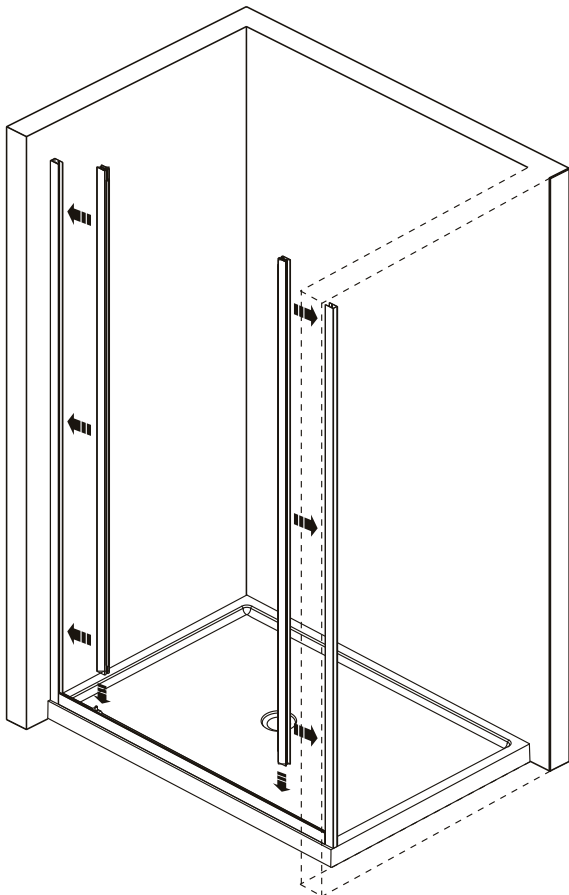
**A** 02



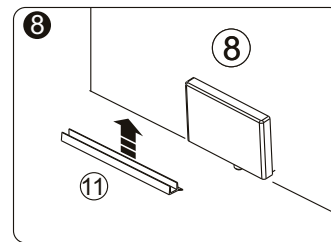
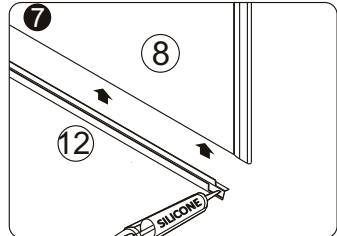
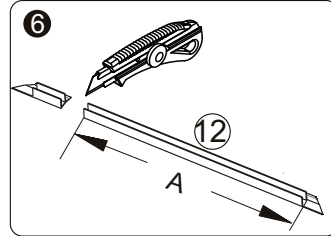
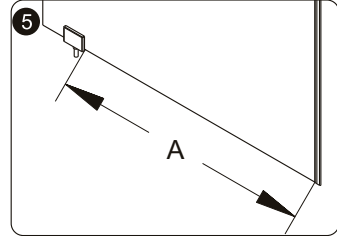
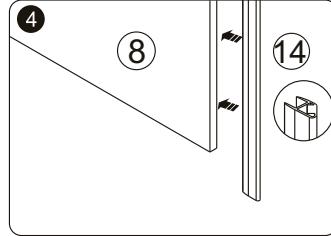
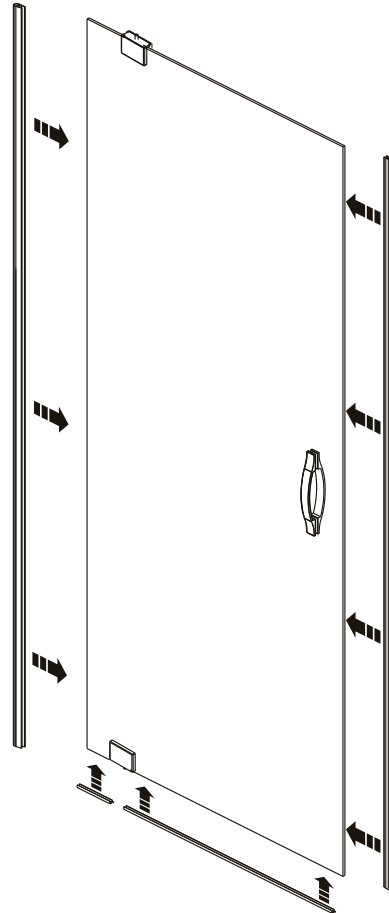
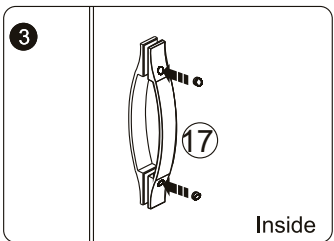
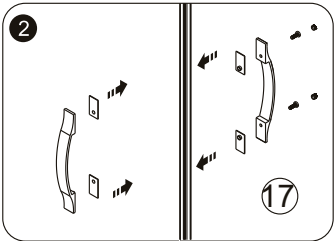
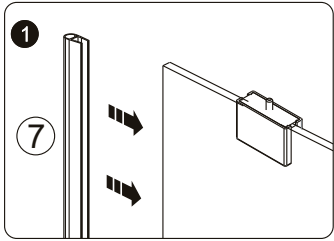
**A** 03



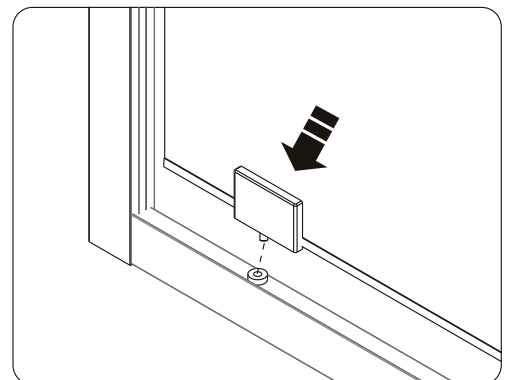
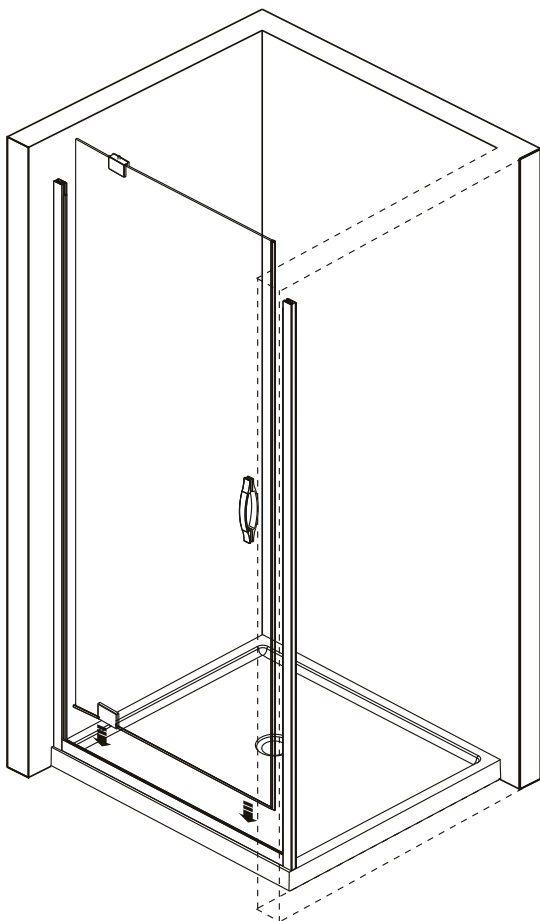
**A** 04



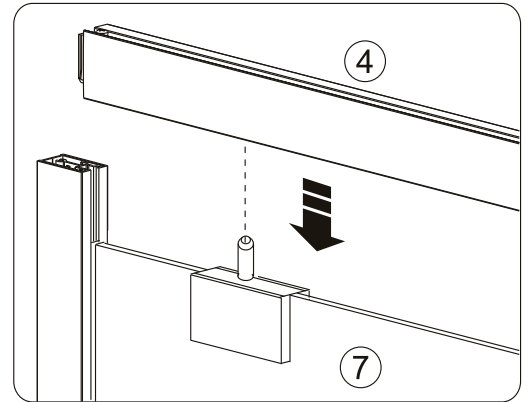
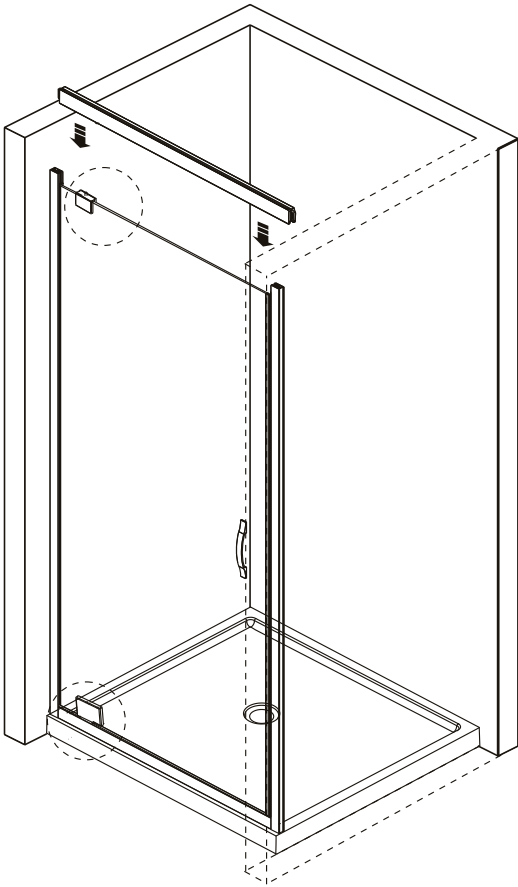
**A** 05



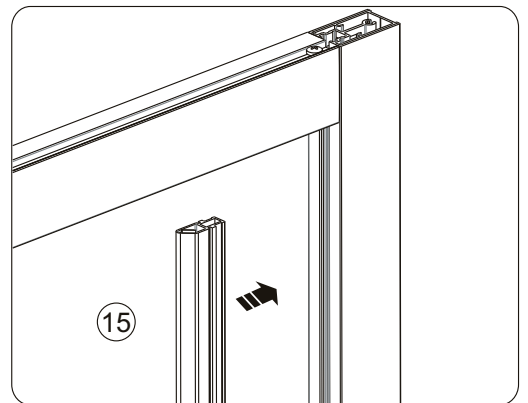
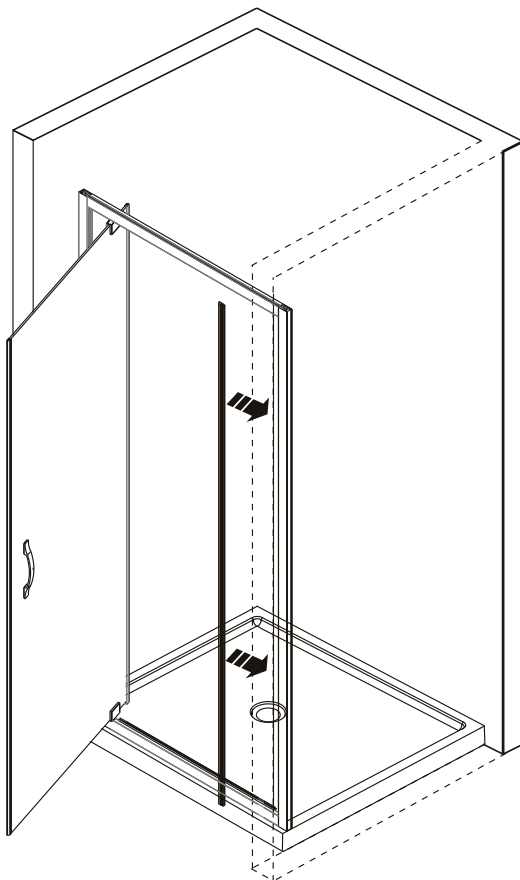
**A** 06



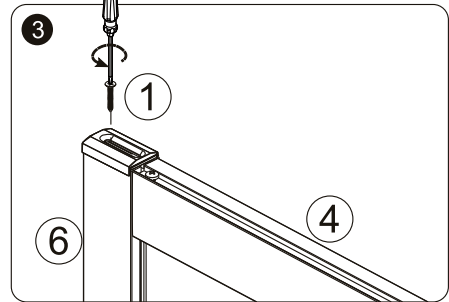
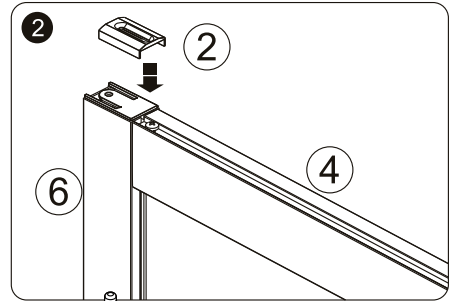
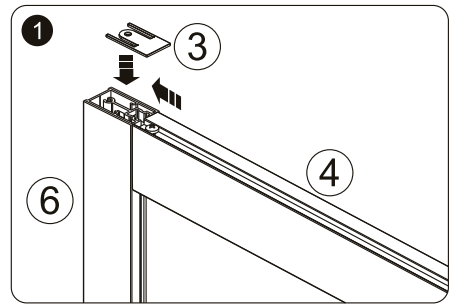
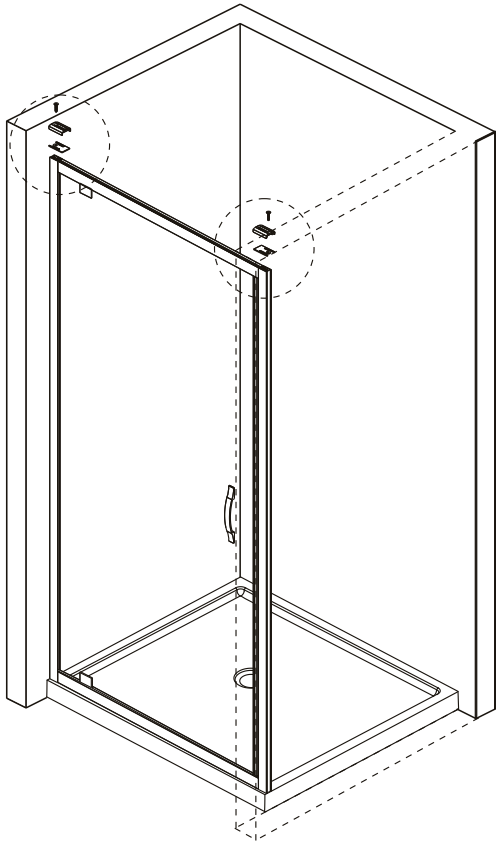
**A** 07



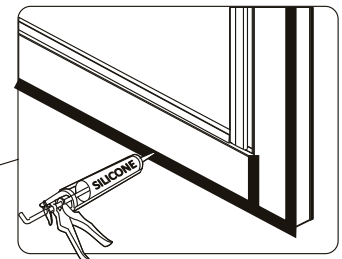
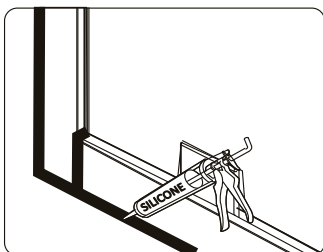
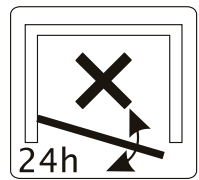
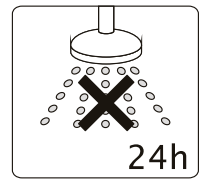
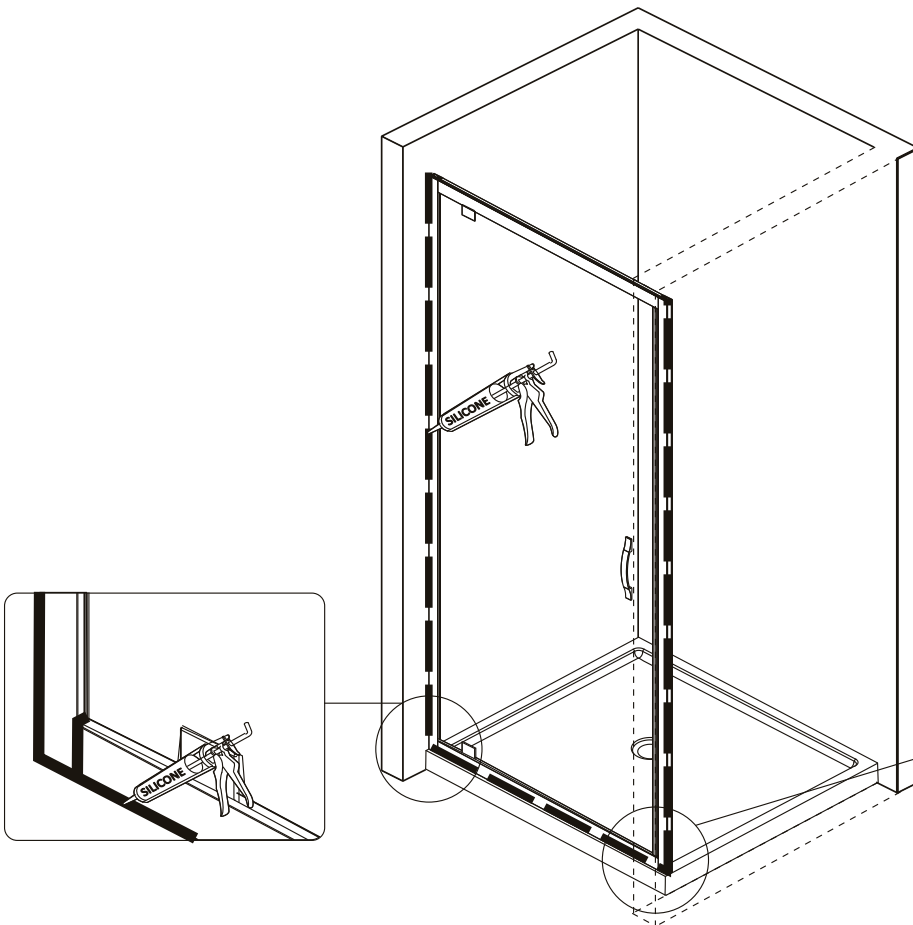
**A** 08



**A** 09

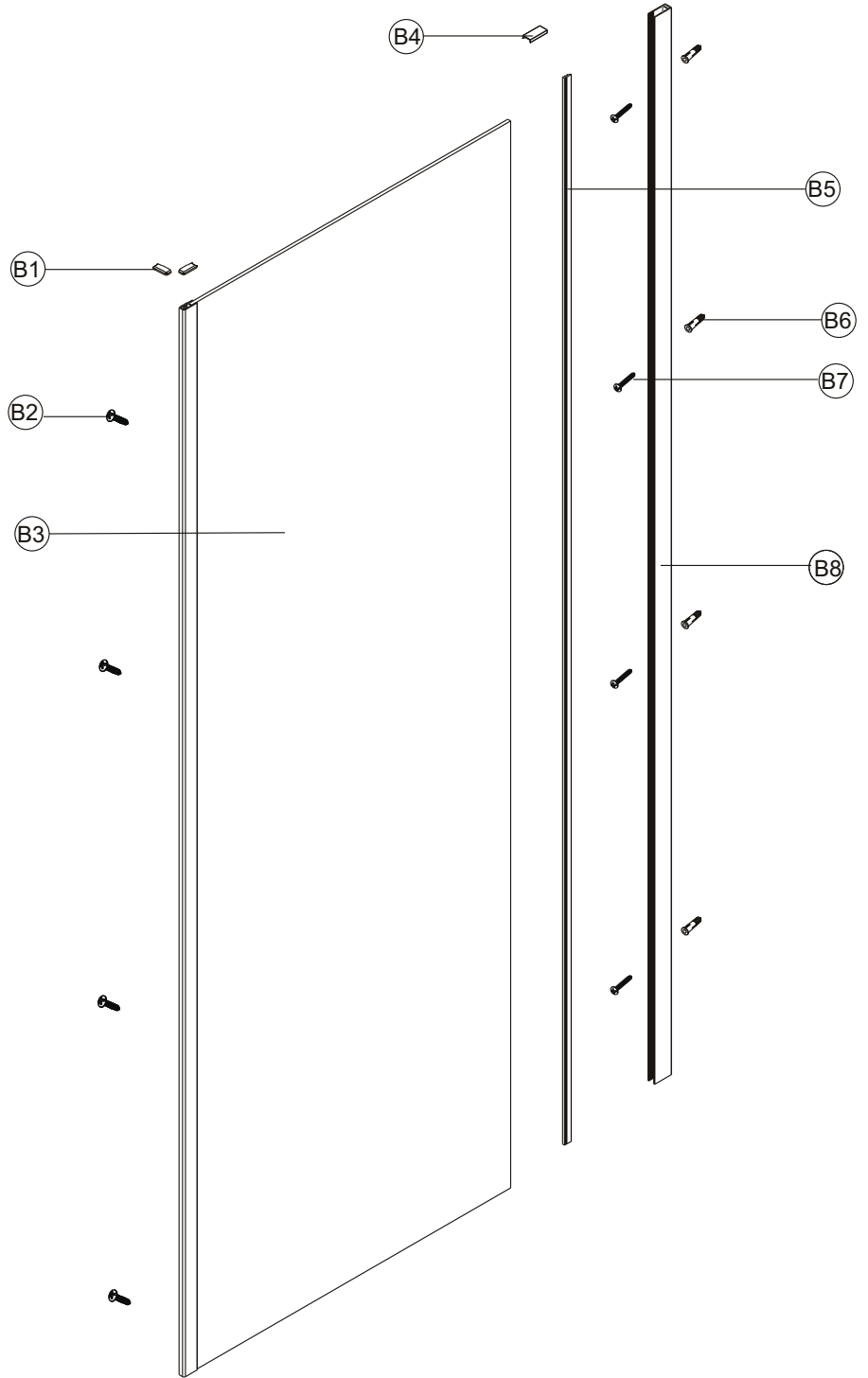




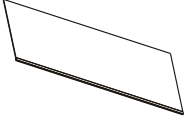
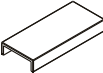

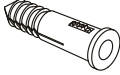
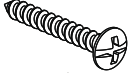
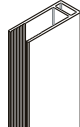
**A** 10



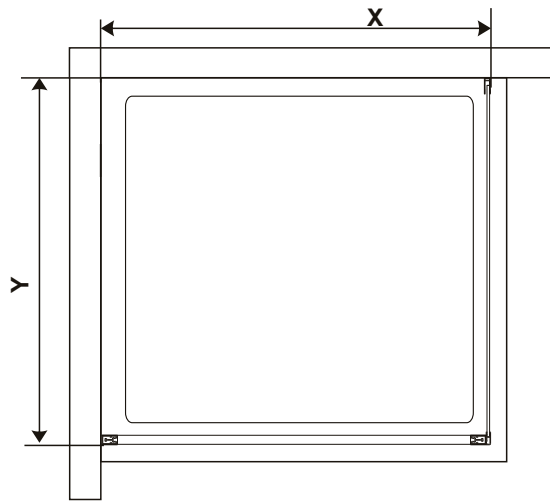


- GS3370,GS4370
- GS3375,GS4375
- GS3380,GS4380
- GS3390,GS4390
- GS3310,GS4310



<b>B1 X2</b> 	<b>B2 X4</b>  ST4X8	<b>B3 X1</b> 	<b>B4 X1</b> 
<b>B5 X1</b> 	<b>B6 X4</b> 	<b>B7 X4</b>  ST4X40	<b>B8 X1</b> 

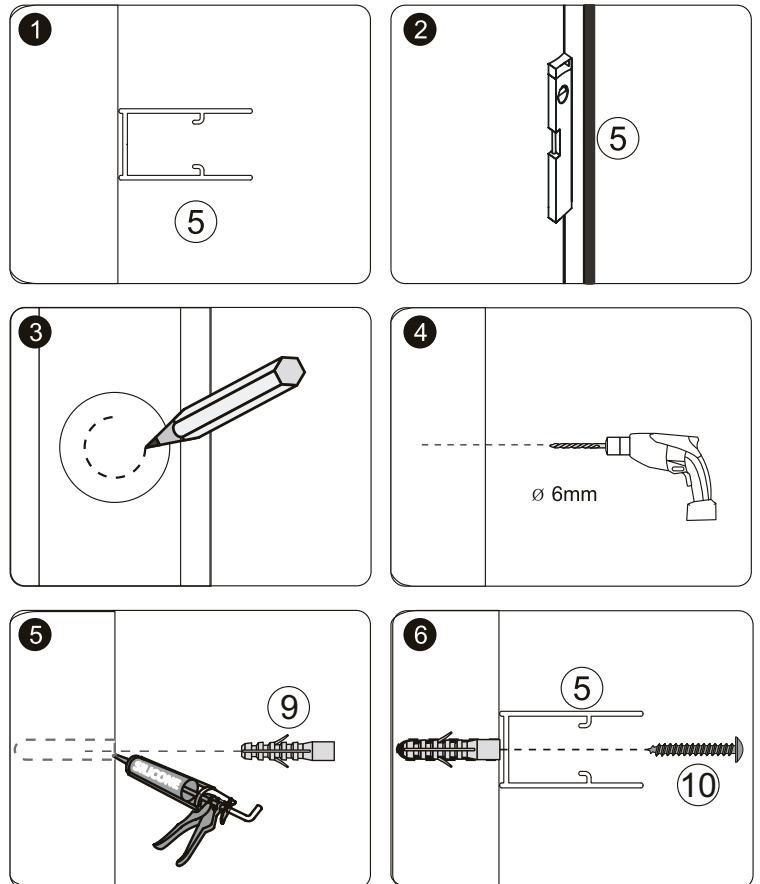
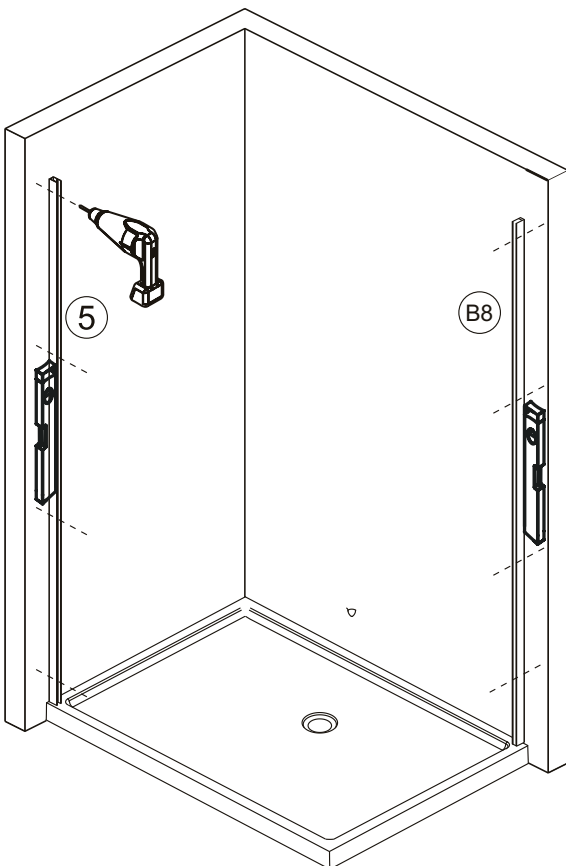
**B**<sub>01</sub>



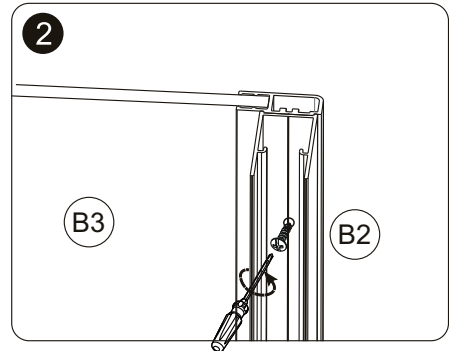
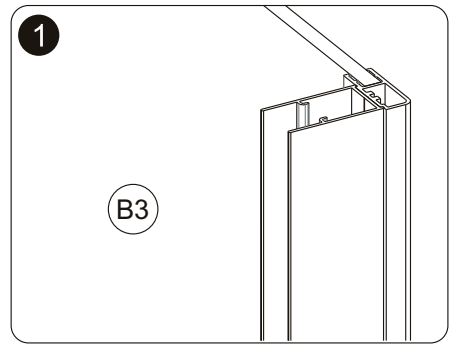
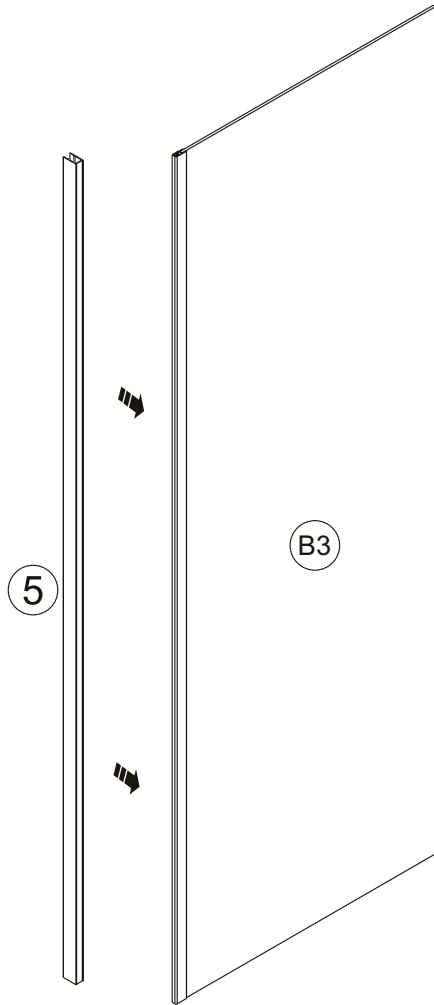
SIZE	X,mm	Y,mm
800X700X1900	770~810	670~690
800X750X1900	770~810	720~740
800X800X1900	770~810	770~790
800X900X1900	770~810	870~890
800X1000X1900	770~810	970~990

SIZE	X,mm	Y,mm
900X700X1900	870~910	670~690
900X750X1900	870~910	720~740
900X800X1900	870~910	770~790
900X900X1900	870~910	870~890
900X1000X1900	870~910	970~990

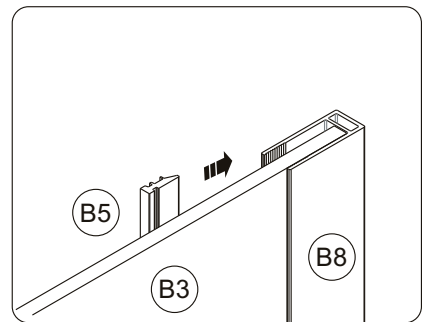
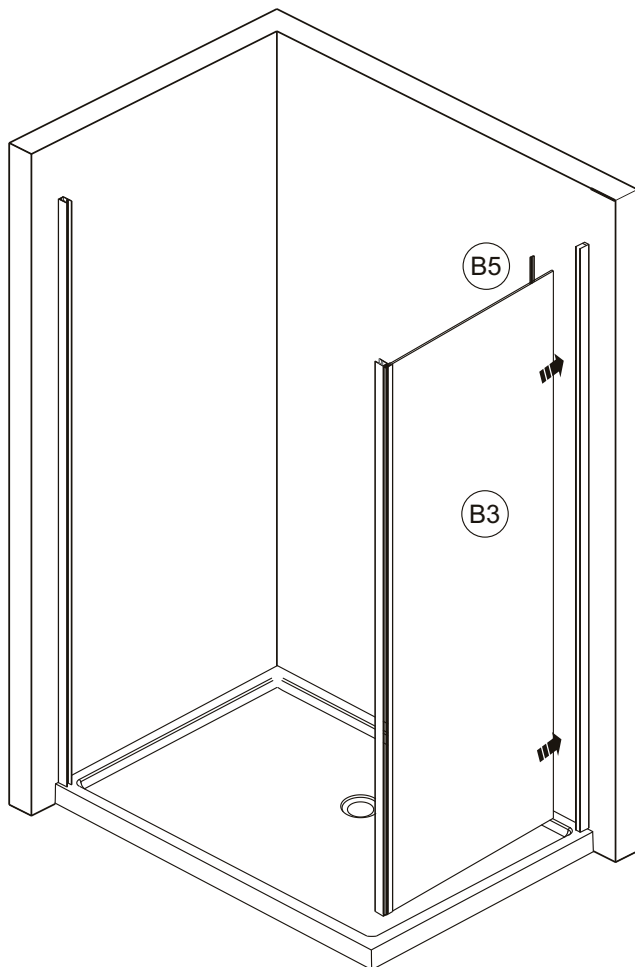
**B**<sub>02</sub>



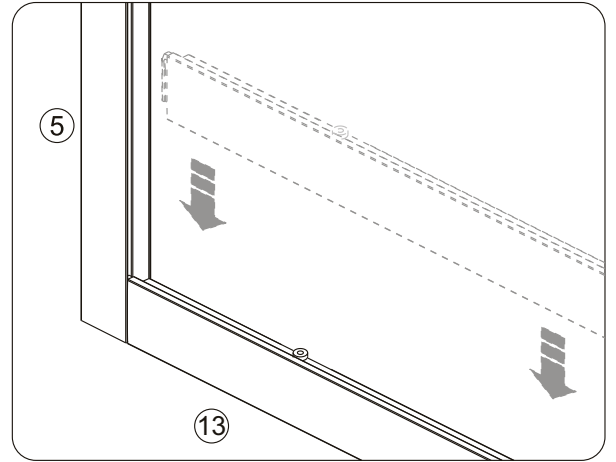
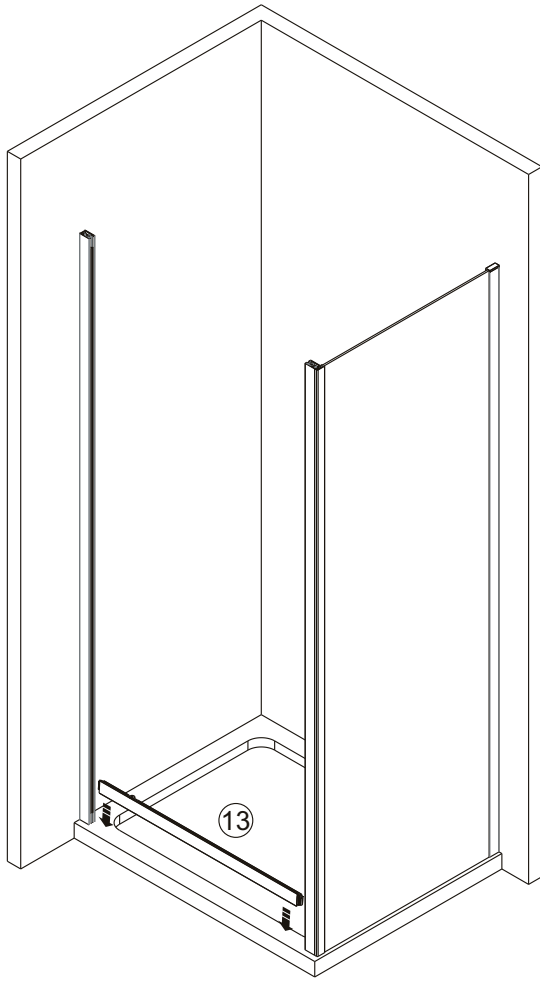
**B**<sub>03</sub>



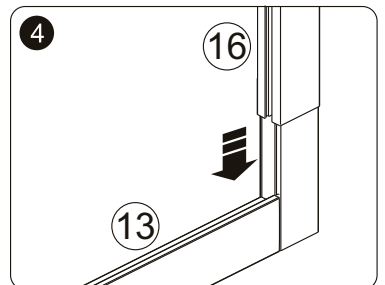
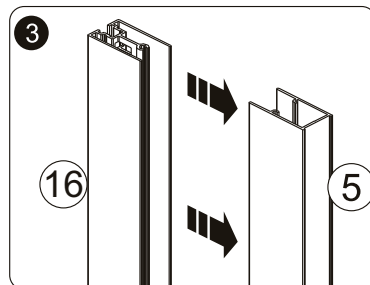
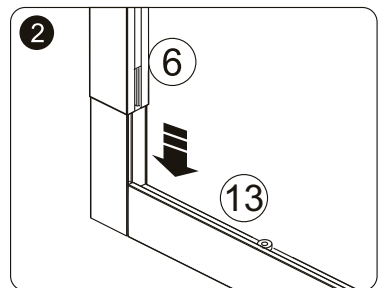
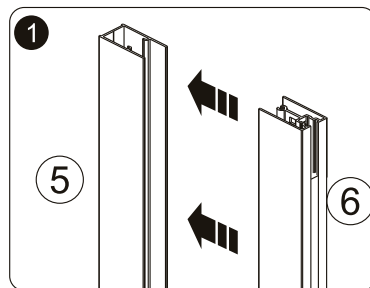
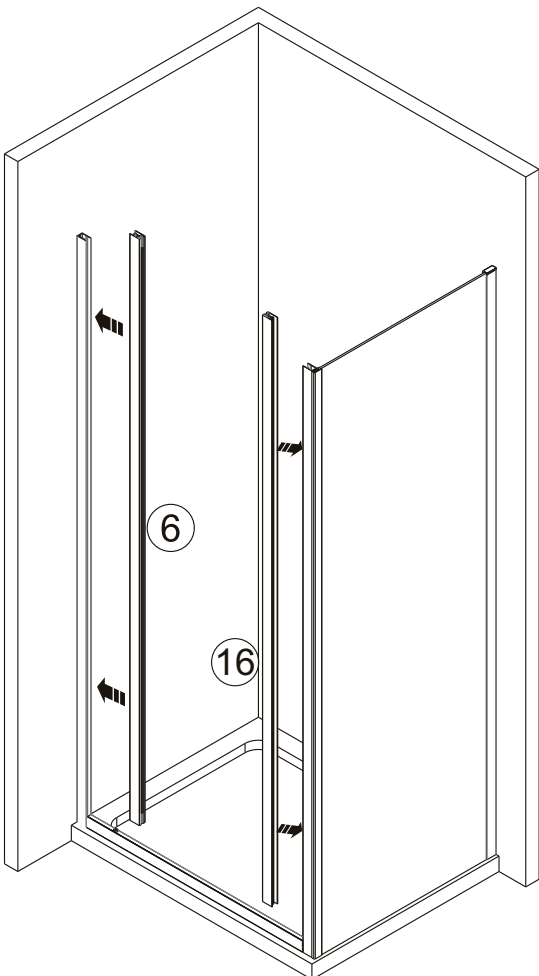
**B**<sub>04</sub>



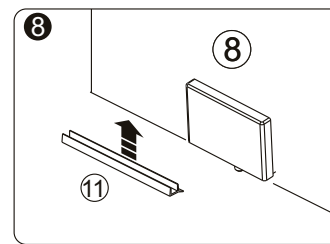
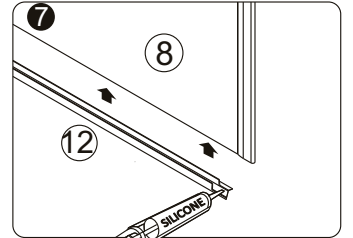
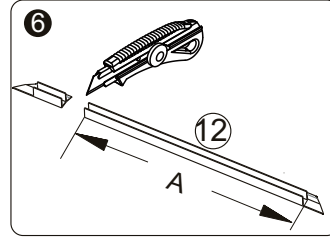
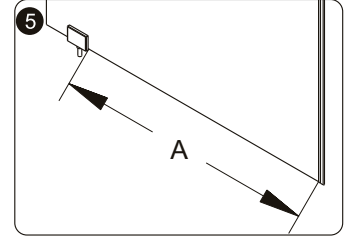
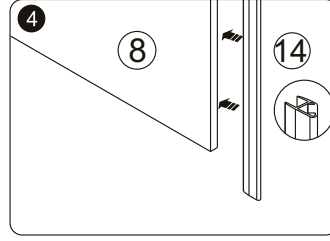
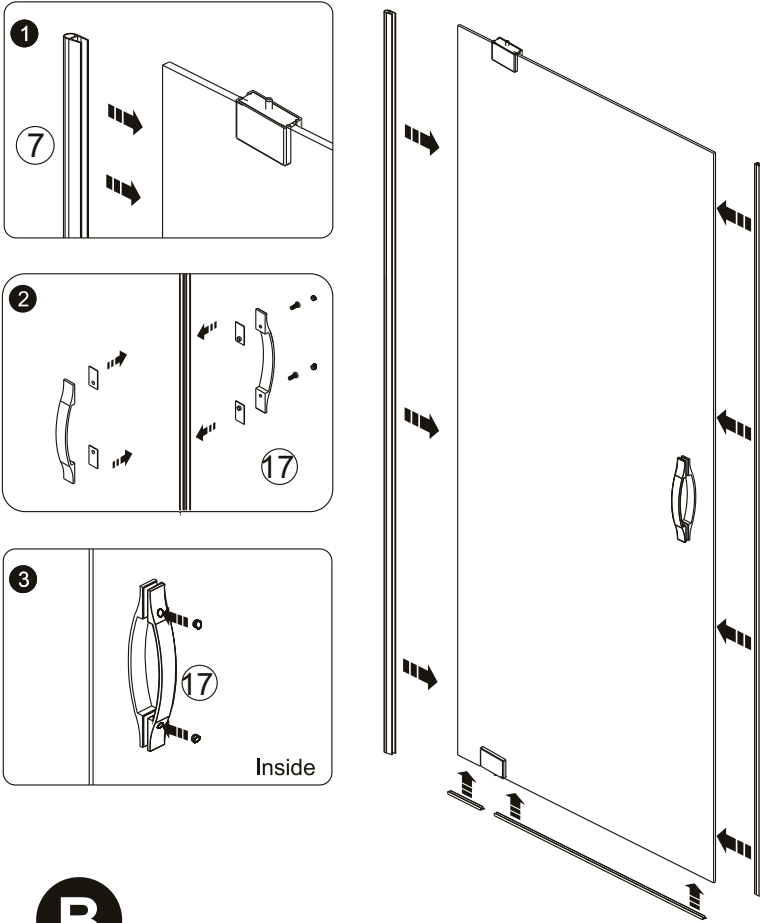
**B**<sub>05</sub>



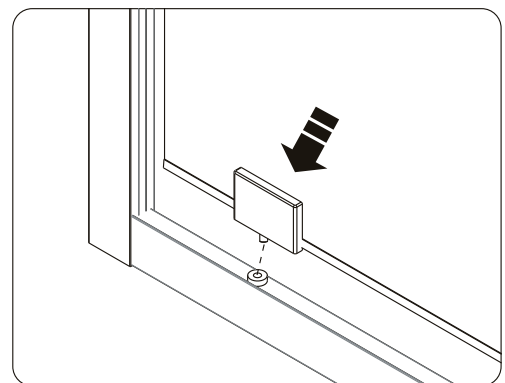
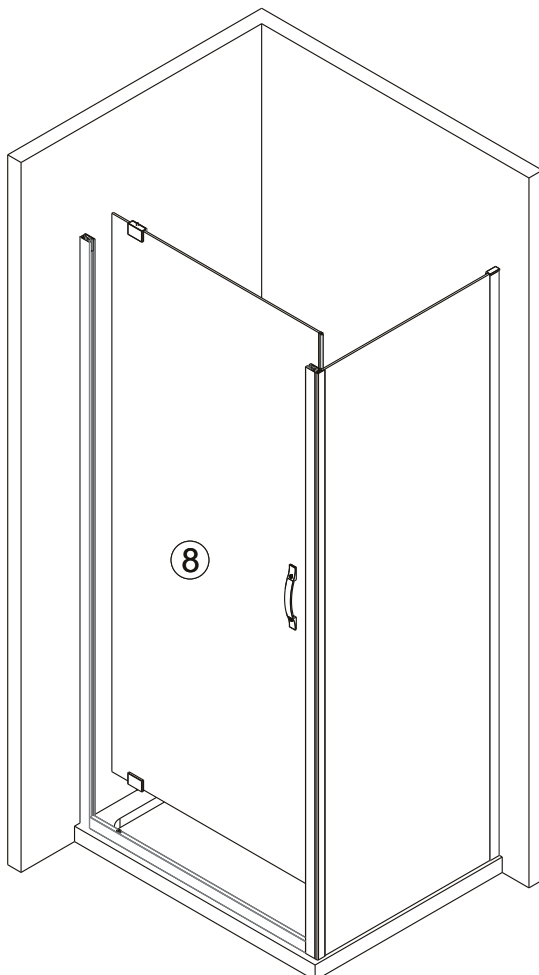
**B**<sub>06</sub>



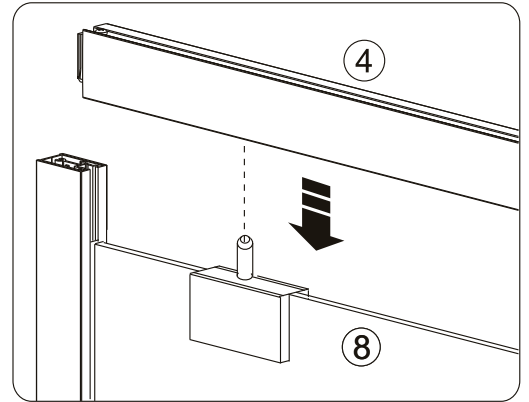
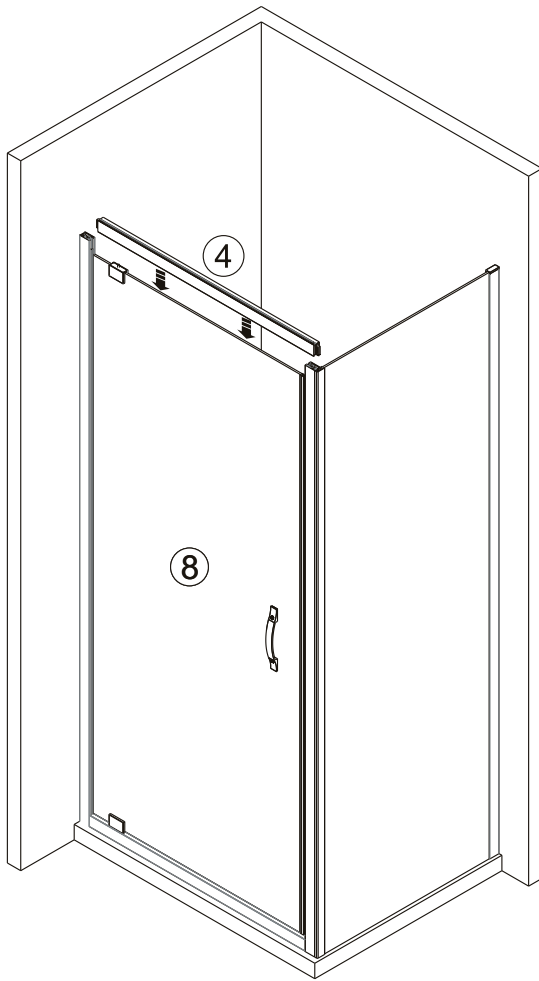
**B** 07



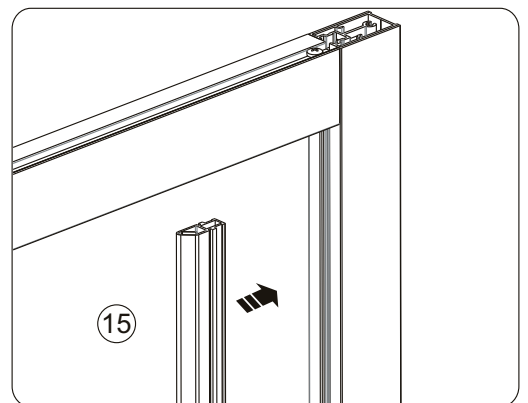
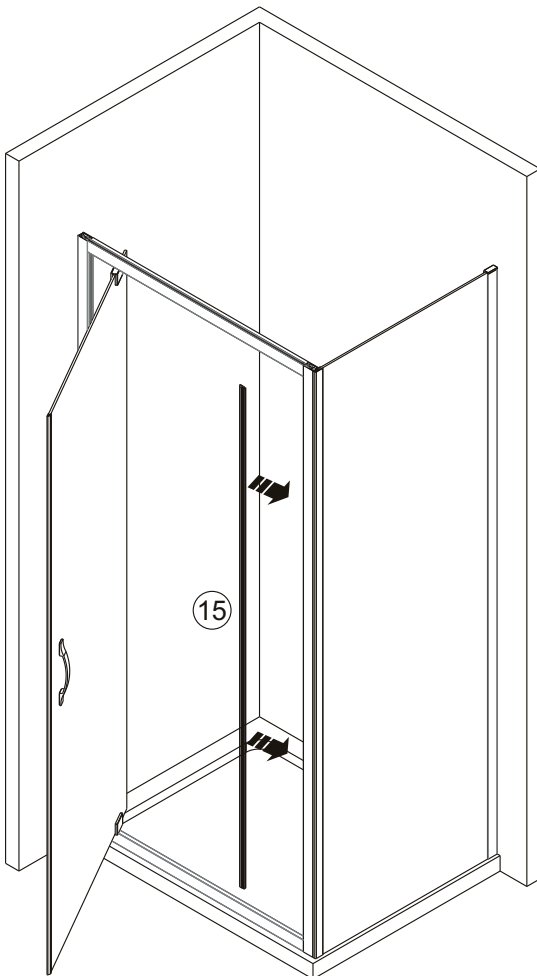
**B** 08



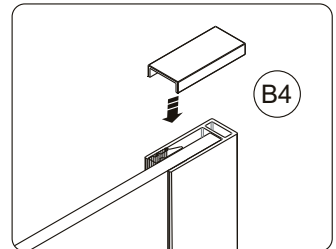
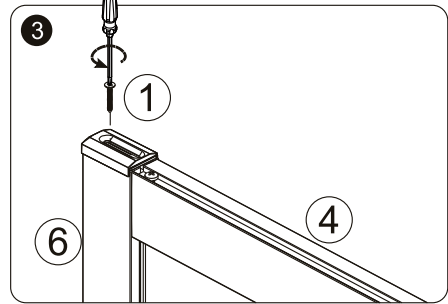
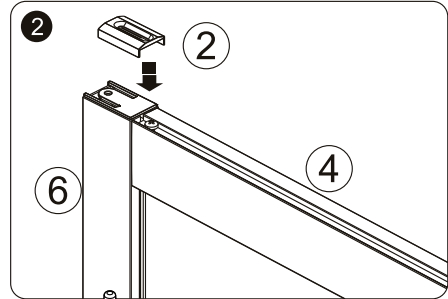
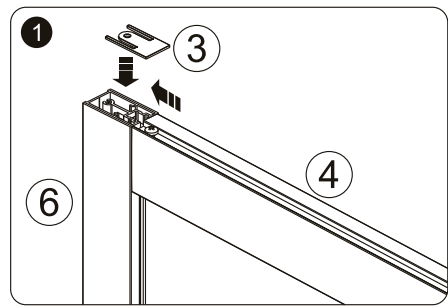
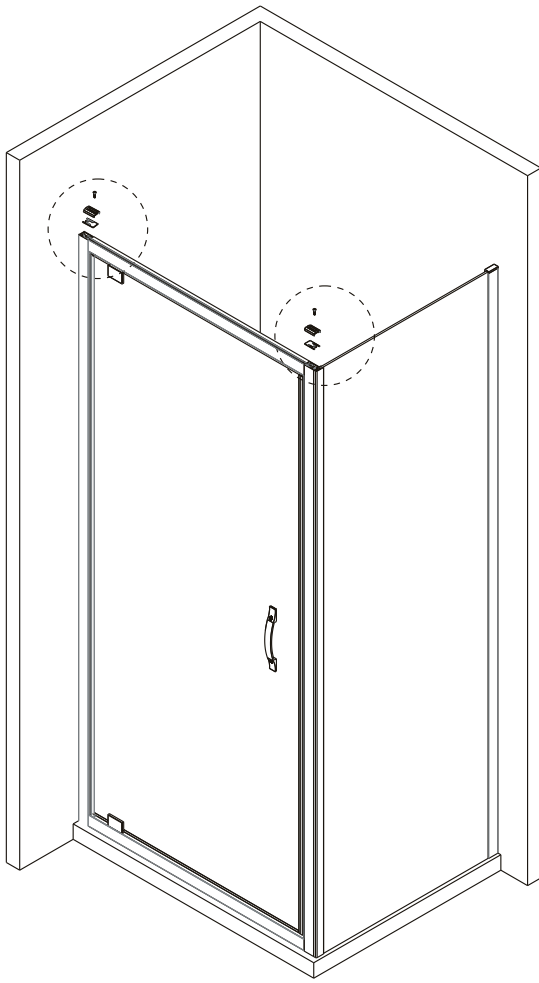
**B**<sub>09</sub>



**B**<sub>10</sub>



**B** 11



**B** 12

