

TECHNICAL CHARACTERISTICS OF THE CERAMIC DISCS:

Material:	AL₂O₃
Surface roughness Ra:	0.2 μm
Contact surface area:	50-80%

TECHNICAL CHARACTERISTICS OF THE CARTRIDGE:

Opening angle:	25°
Mixing angle:	110°
Max temperature:	90°C/194°F
Recommended tightening torque:	12-13 Nm / 106-115 lbf·in

Pressure test:

Pneumatic:	6 bar / 87 psi
Hydraulic:	35 bar / 500 psi

Flow rate:

(3 bar / 45 psi, test faucet, EN 817)

22.1 l/min / 5.8 gpm with resistance „C”

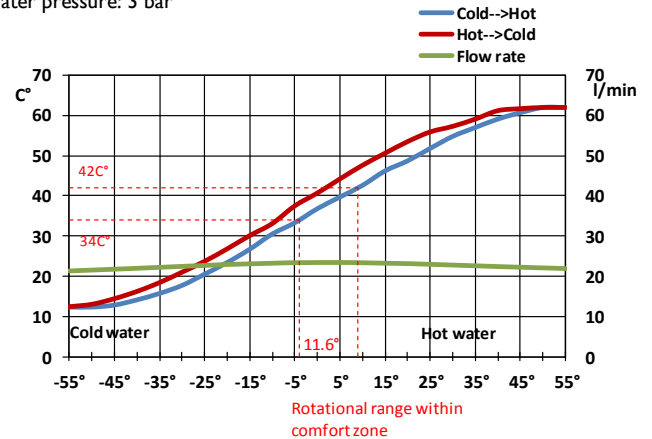
33.5 l/min / 8.8 gpm without resistance

Endurance test:

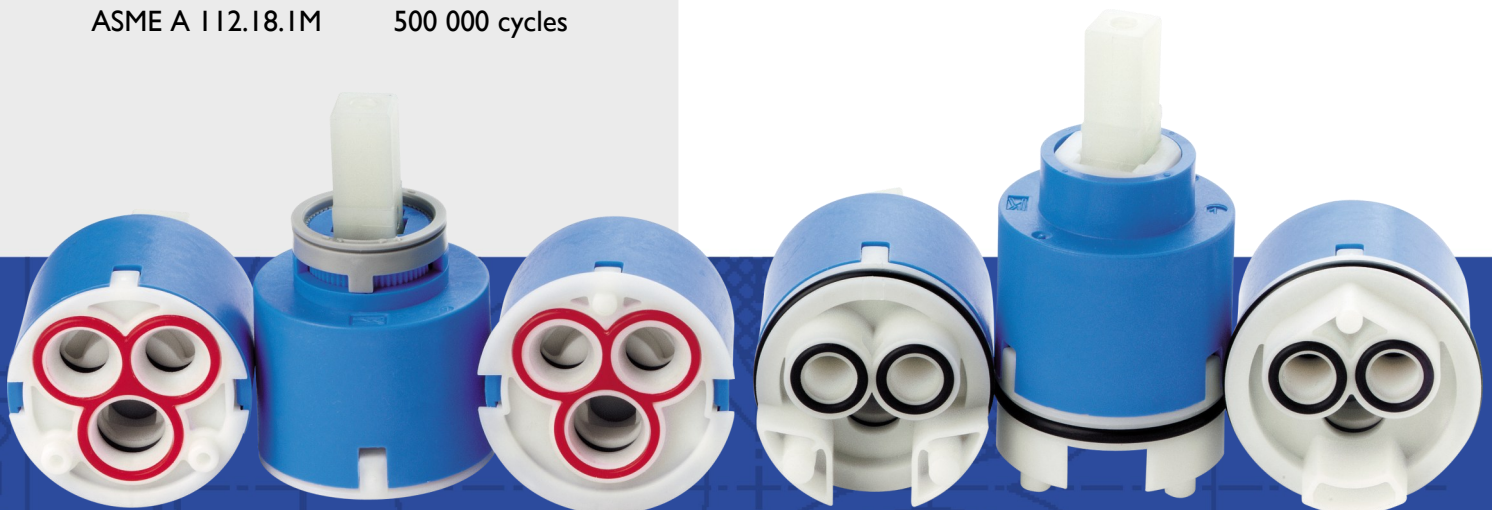
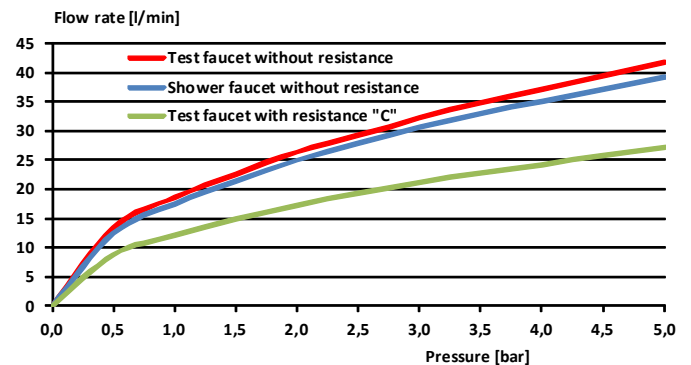
EN 817	70 000 cycles
ASME A 112.18.1M	500 000 cycles

FLOW RATE & HYSTERESIS CURVES

Test faucet, resistance „C”
Water pressure: 3 bar



FLOW RATE CURVES



K-40

CARTRIDGES

A • B

K-42

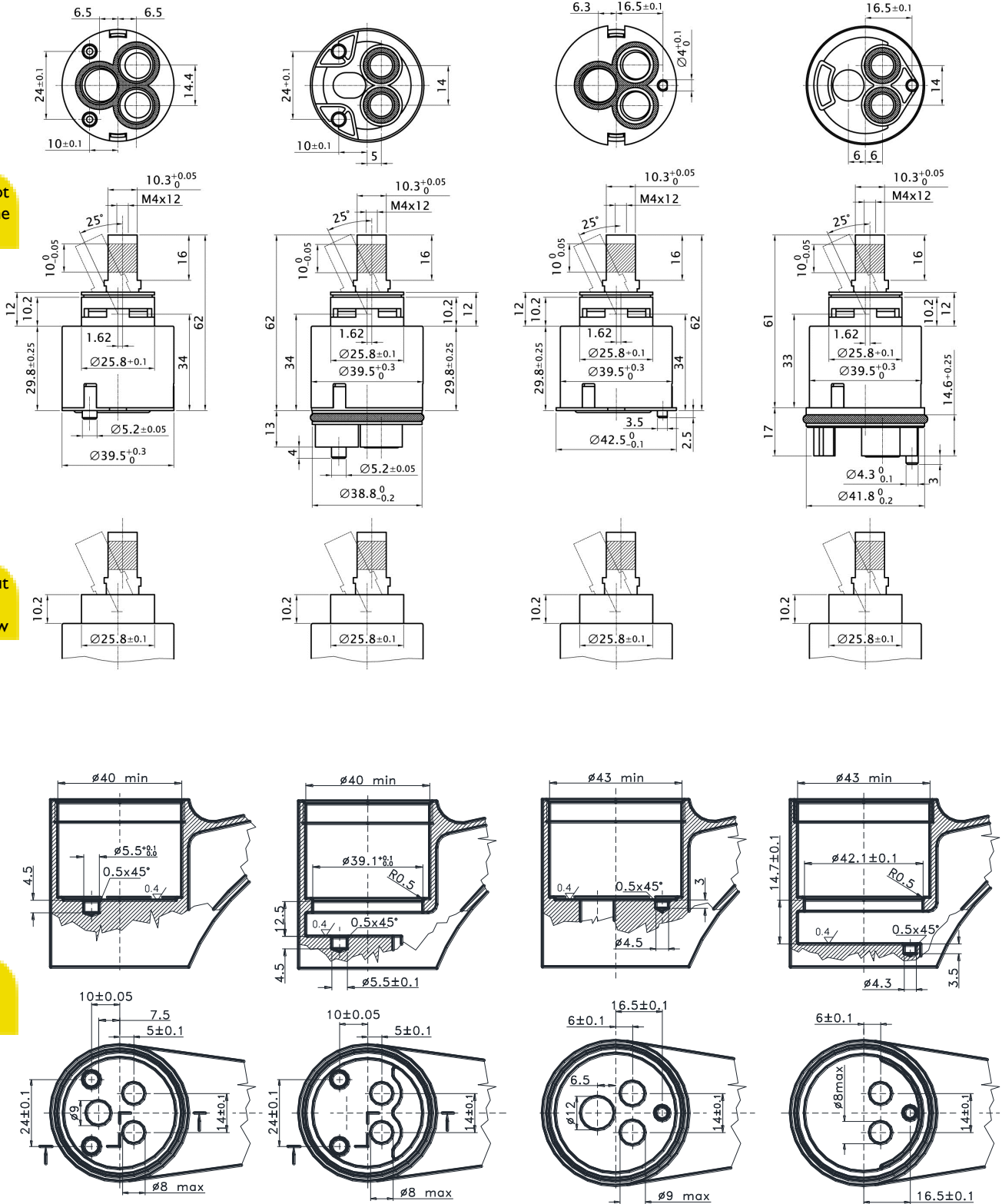
CARTRIDGES

C • D

Cartridge with hot limit ring & volume limit screw

Cartridges without hot limit ring & volume limit screw

Bodies



K - 40 A

K - 40 B

K - 42 C

K - 42 D