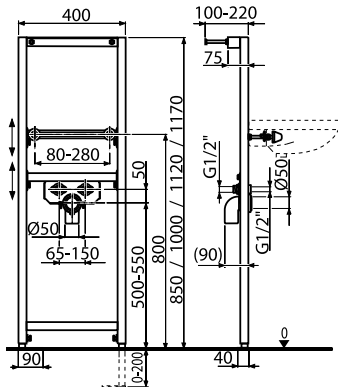


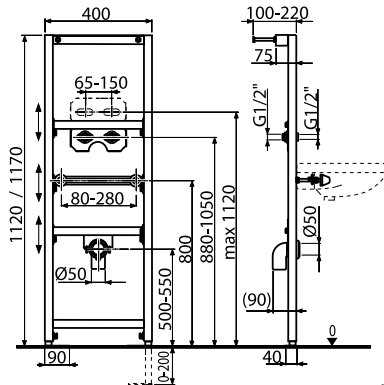


A104/850 ■ A104/1000 ■ A104/1120 ■ A104/1200 ■ A104A/1120 A104A/1200 ■ A104B/1120 ■ A104B/1200 ■ A104PB/1120

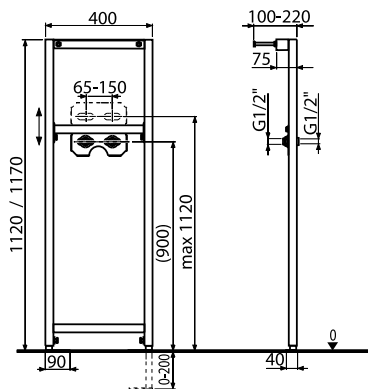


[mm]

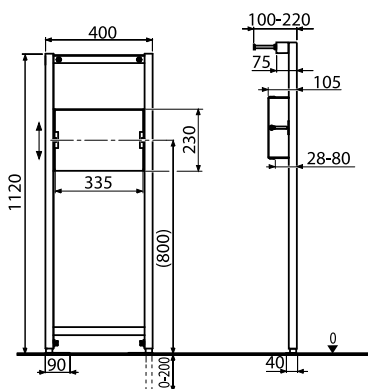
A104/850 / A104/1000 / A104/1120 / A104/1200



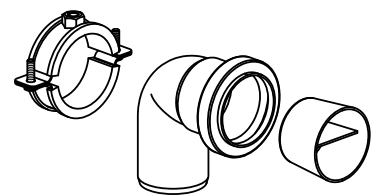
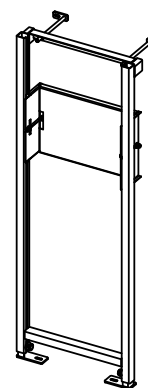
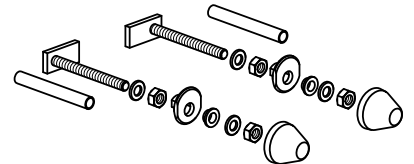
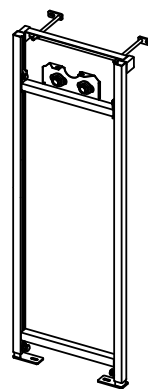
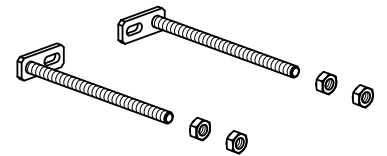
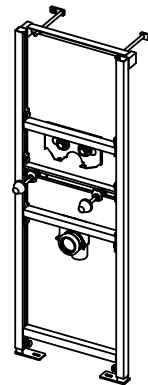
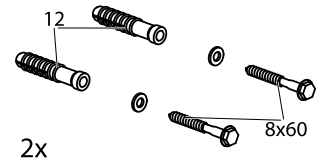
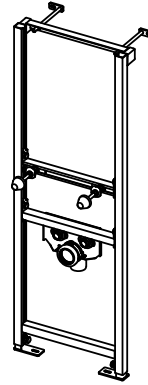
A104A/1120 / A104A/1200



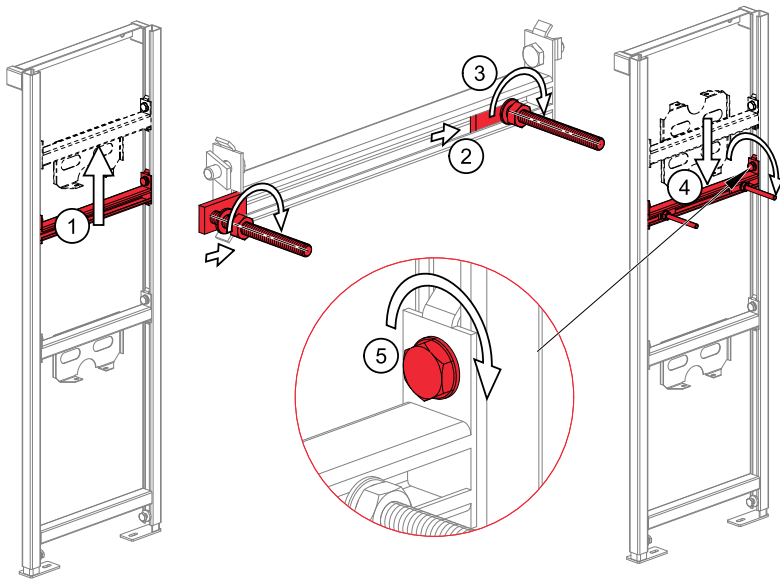
A104B/1120 / A104B/1200



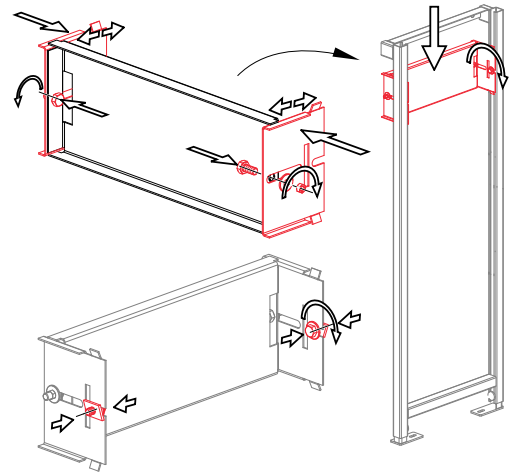
A104PB/1120



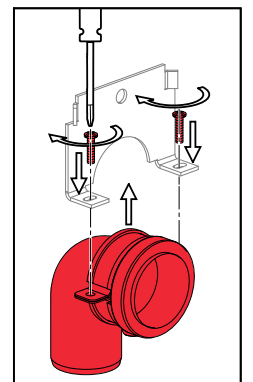
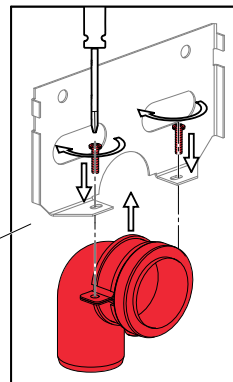
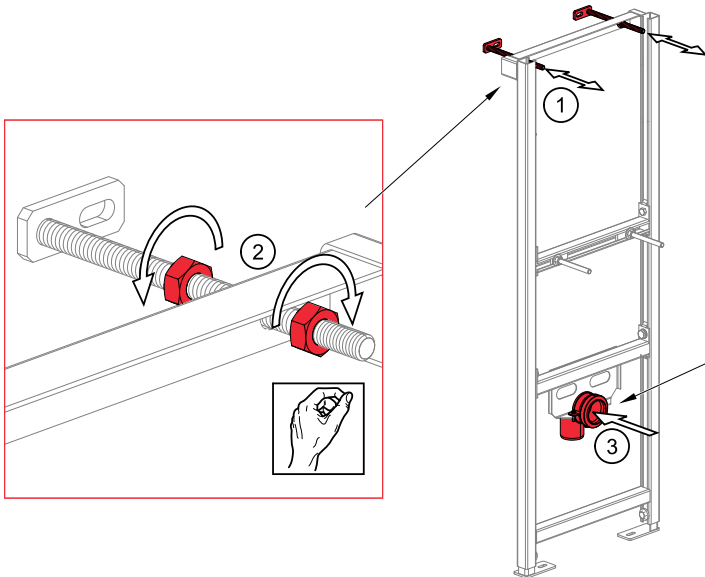
1



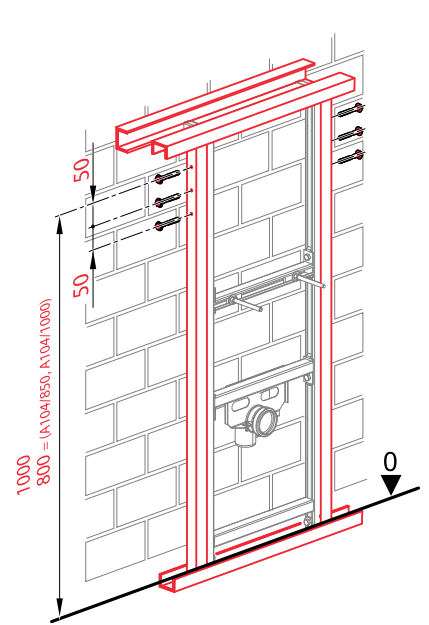
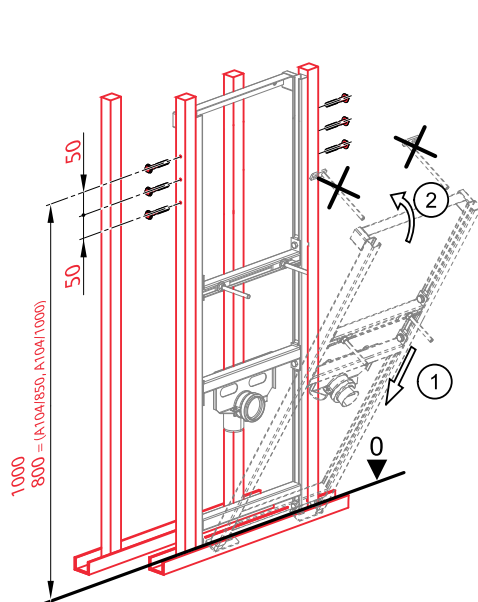
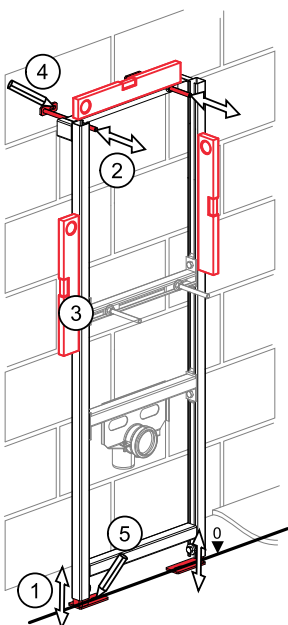
A104PB/1120



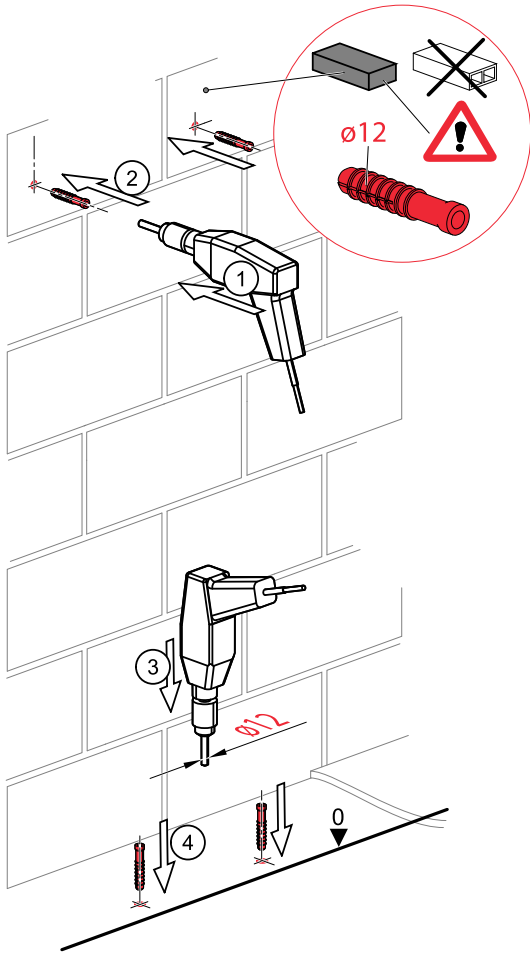
2



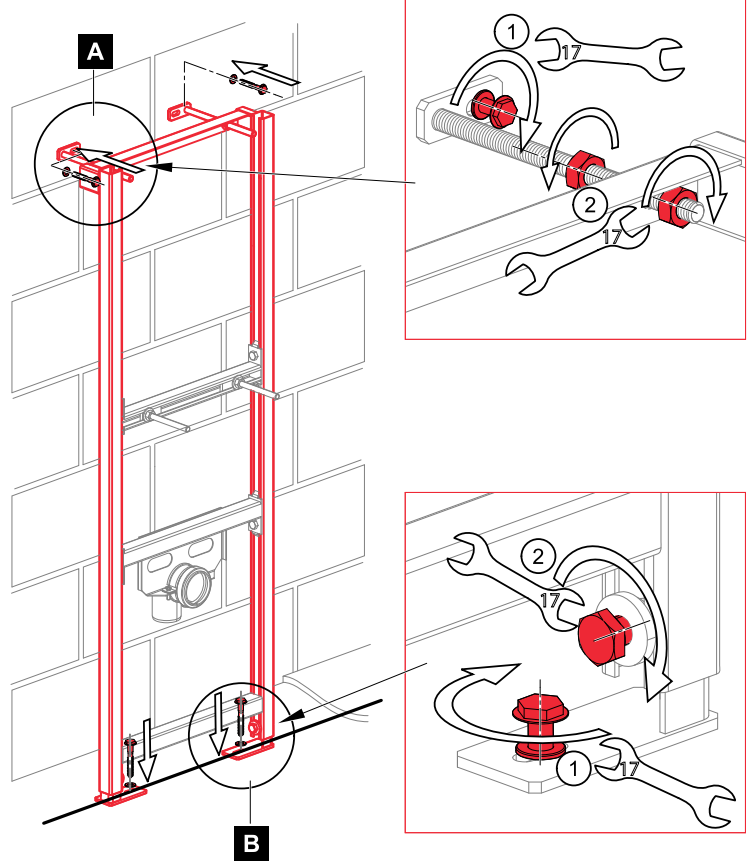
3



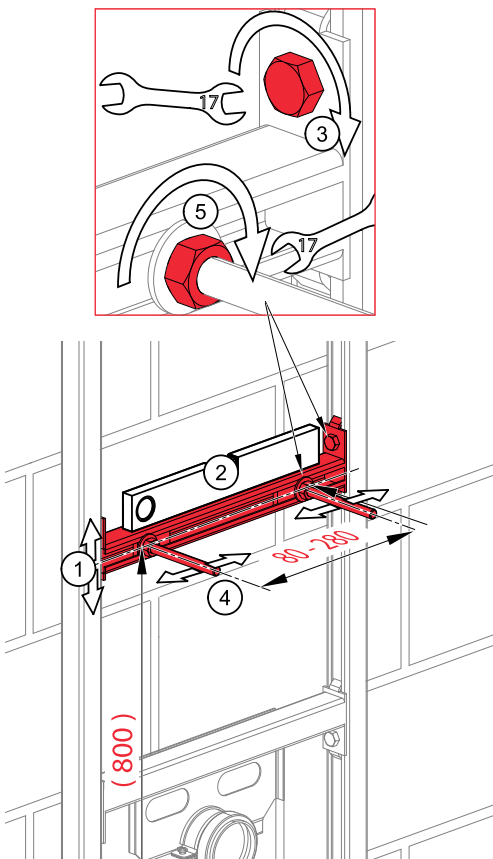
4



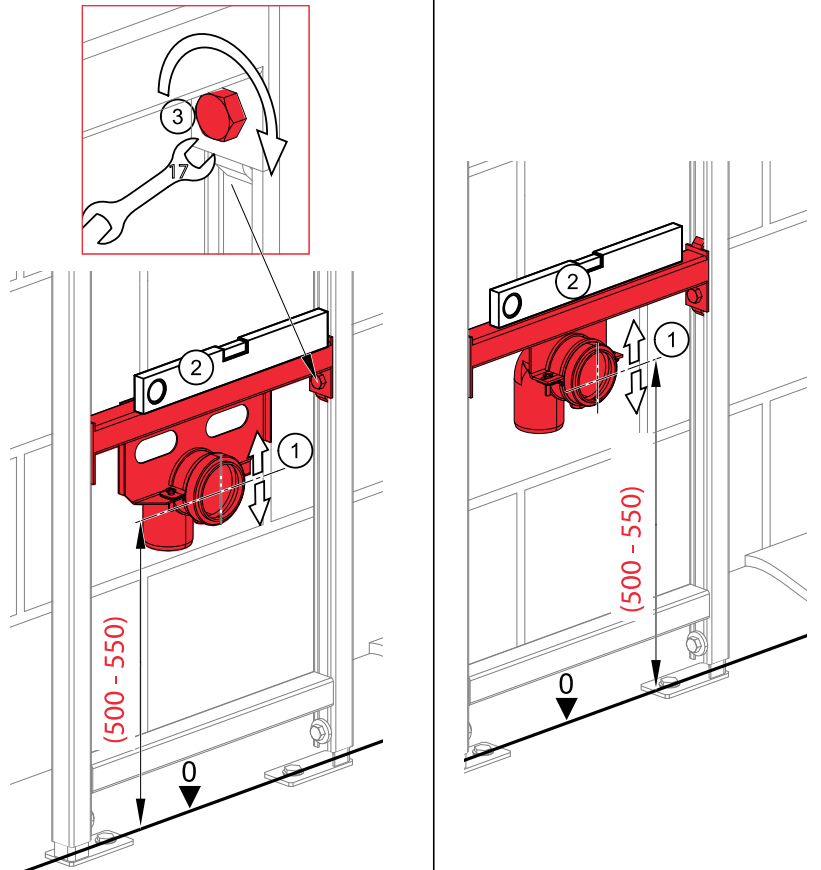
5



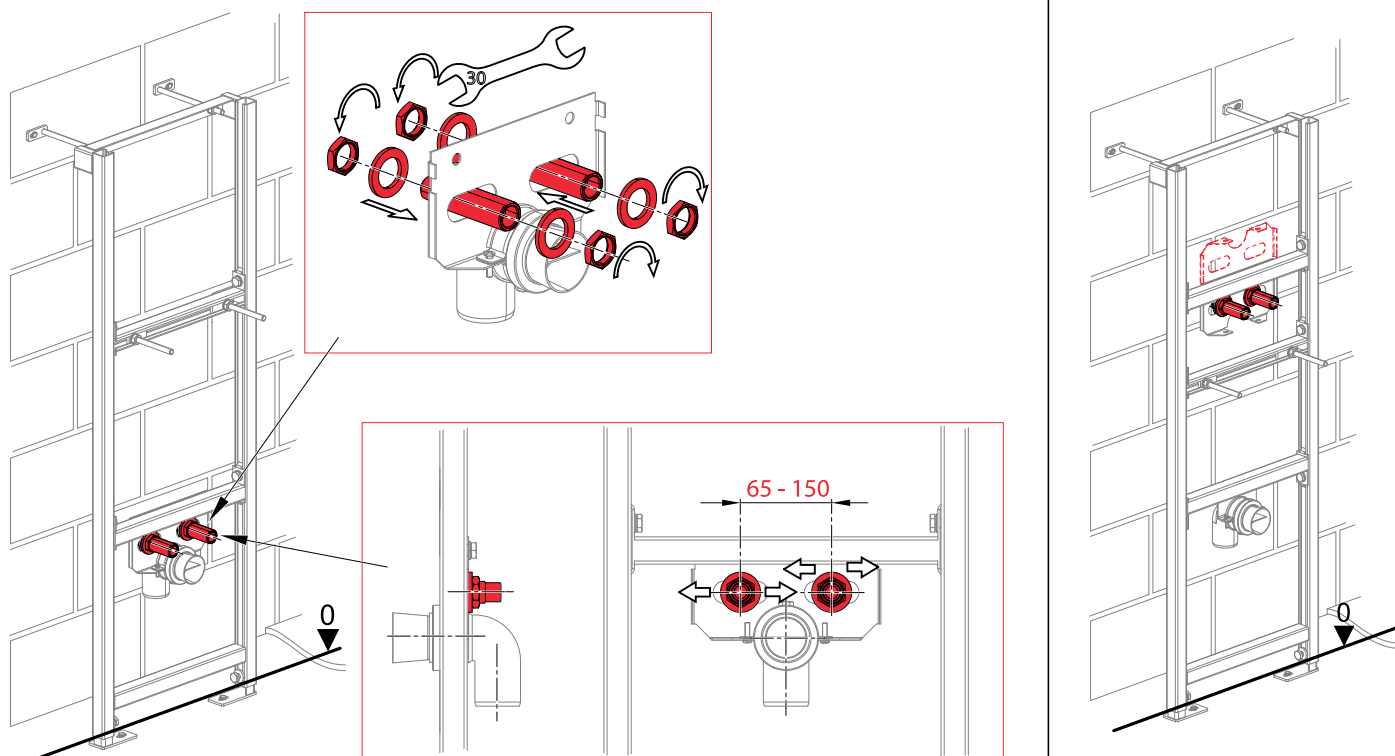
6



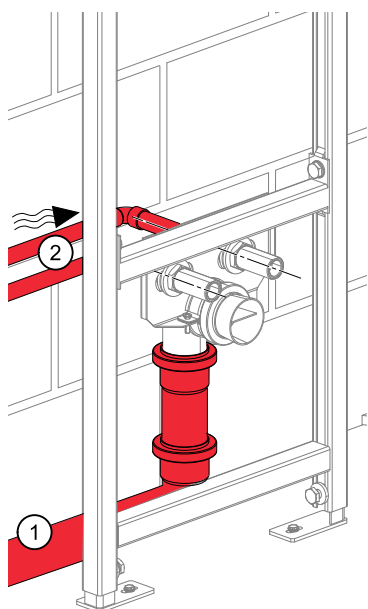
7



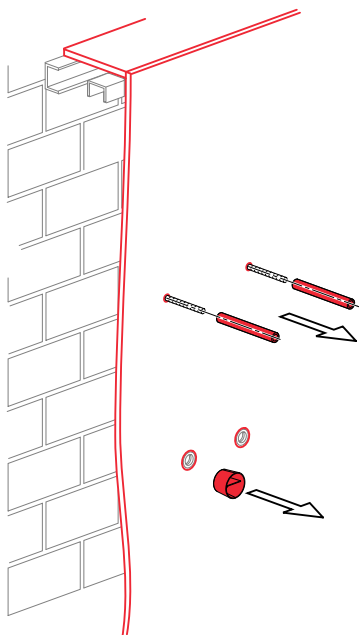
8



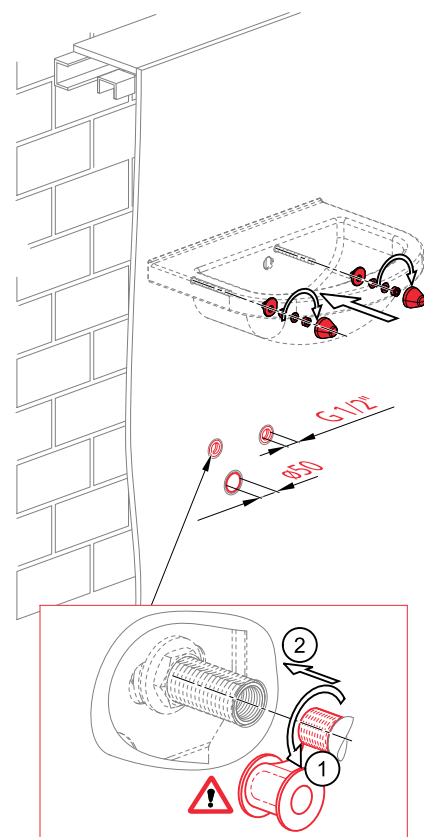
9



10



11



Alca plast, s. r. o.
 Bratislavská 2846, 690 02 Břeclav, Česká republika
 Tel.: +420 519 821 117 – prodej ČR
 Tel.: +420 519 821 041 – export, Fax: +420 519 821 083
 e-mail: alcaplast@alcaplast.cz, www.alcaplast.cz

© 2017 Alcaplast, s.r.o.